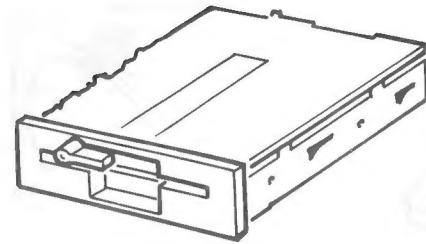


ILLUSTRATION BOOKLET

PARTS PICTORIAL

Part of 595-3973-01

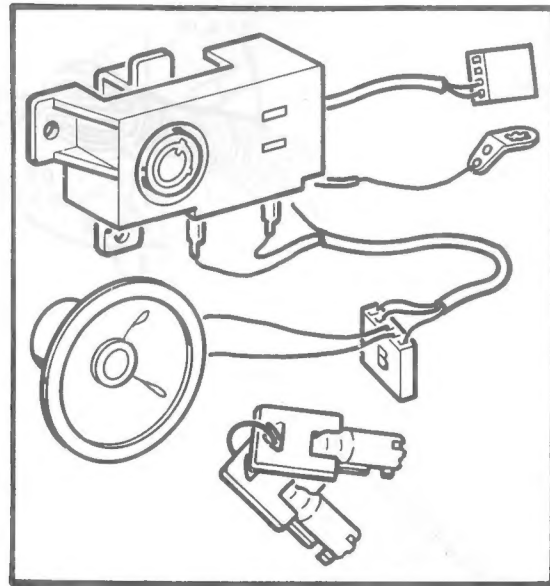
A1



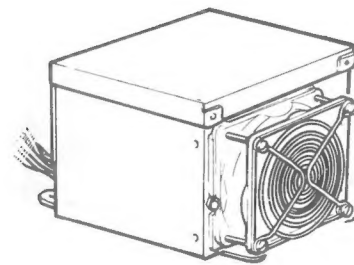
A2



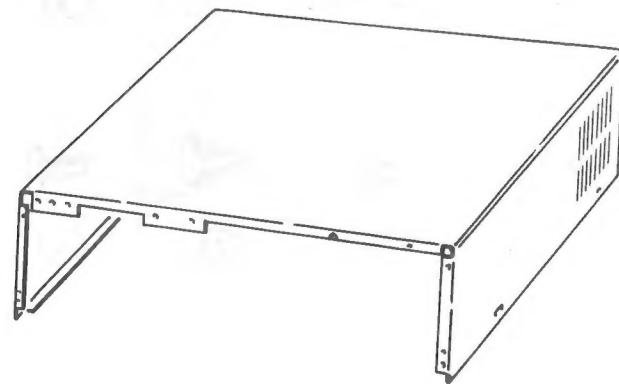
A3



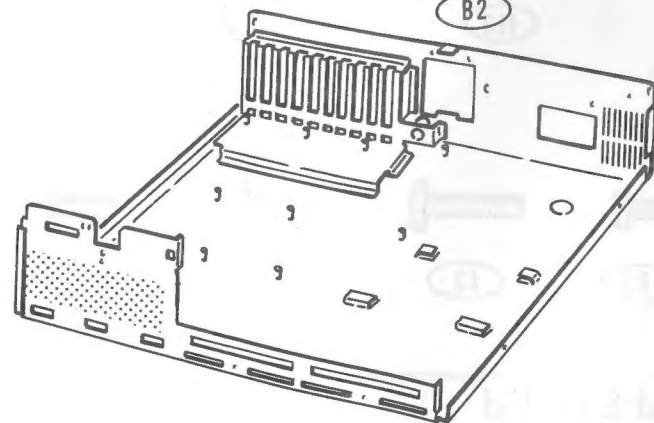
A4



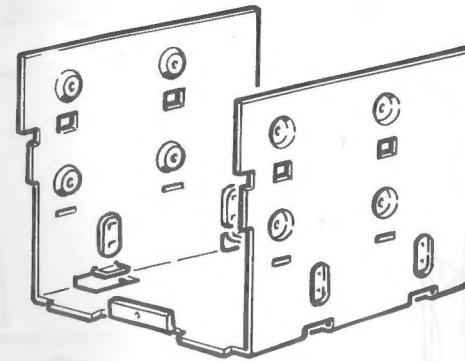
B1



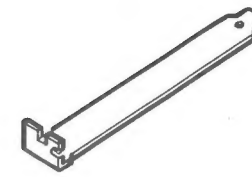
B2



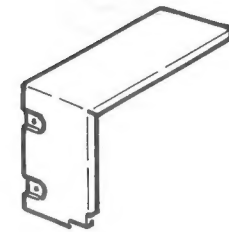
B3



B4



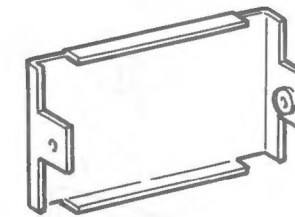
B5



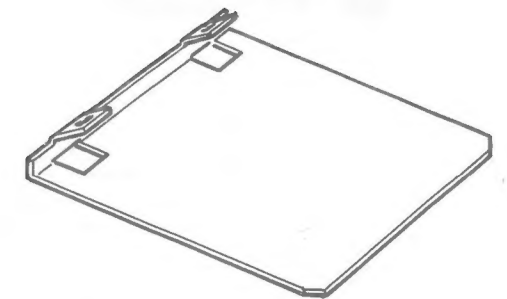
B6



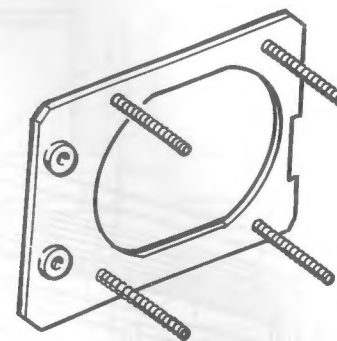
B7



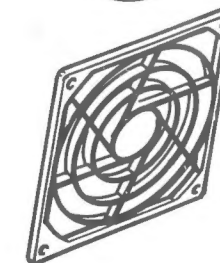
B8



B9



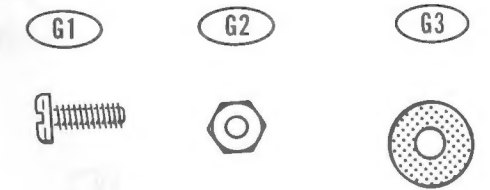
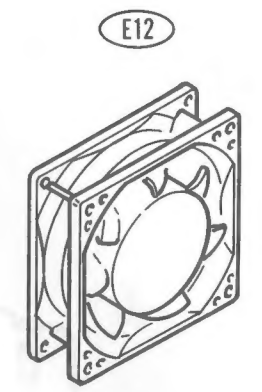
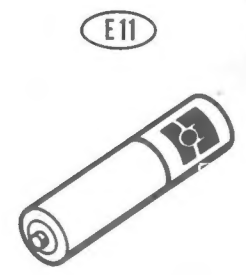
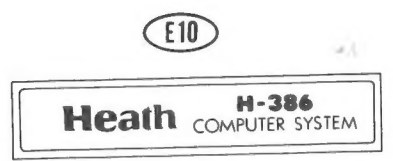
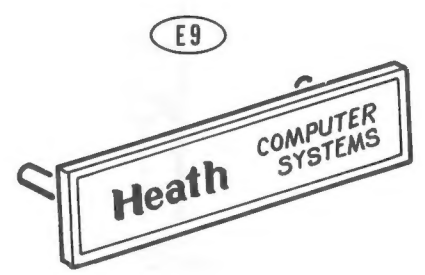
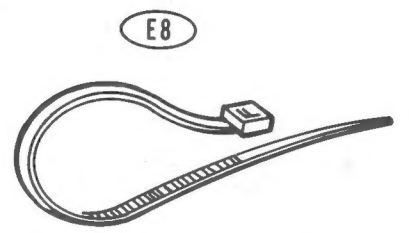
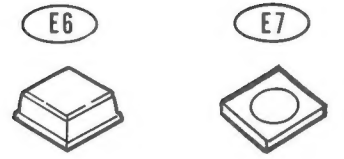
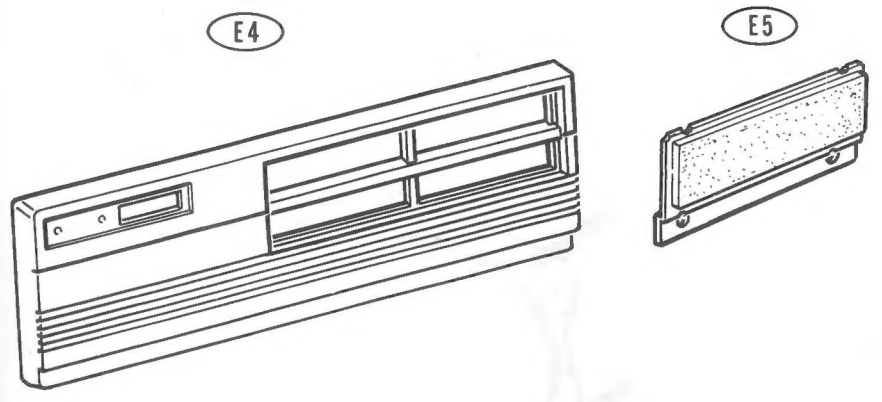
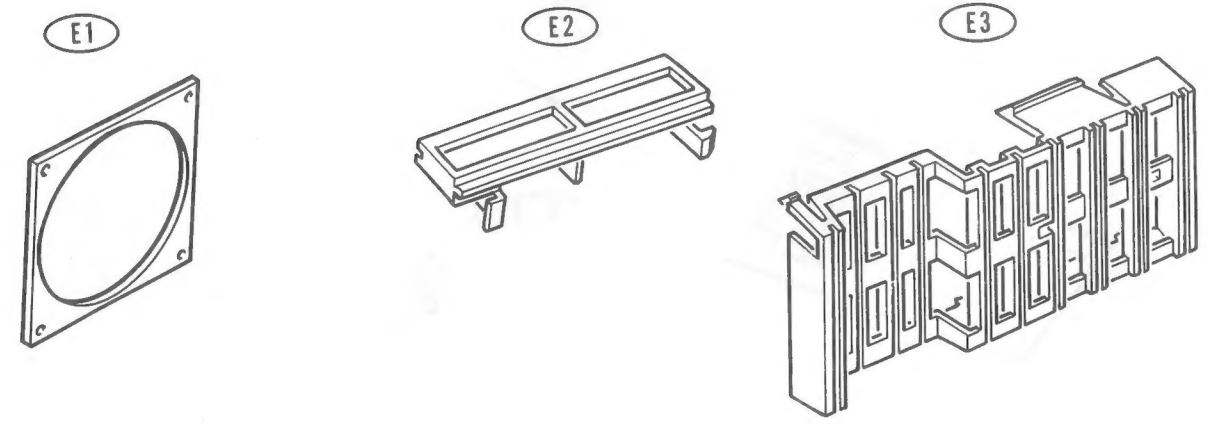
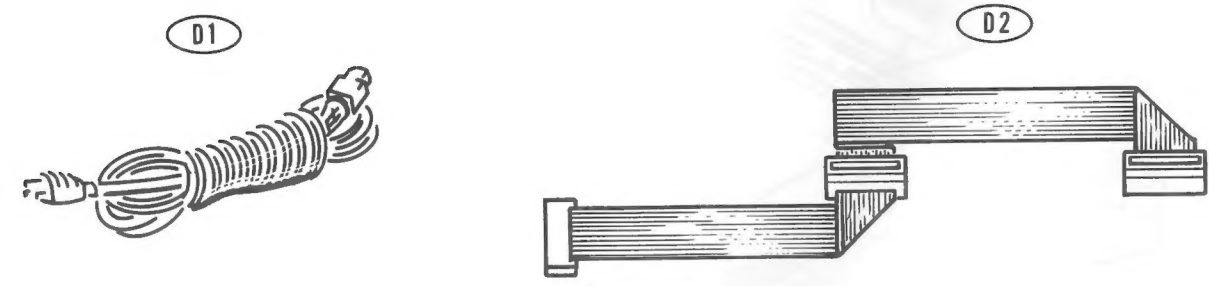
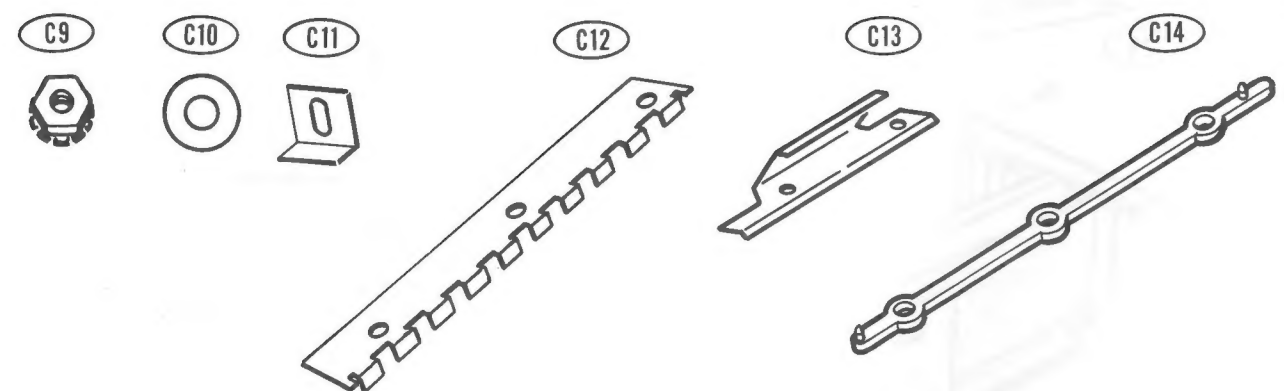
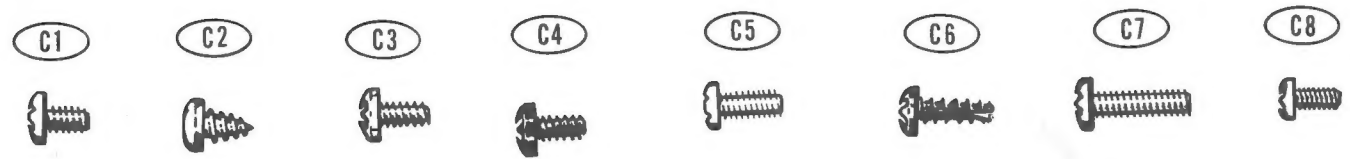
B10



Model H-386

Copyright © 1987
Heath Company
All Rights Reserved
Printed in the United States of America

PARTS PICTORIAL (Cont'd)

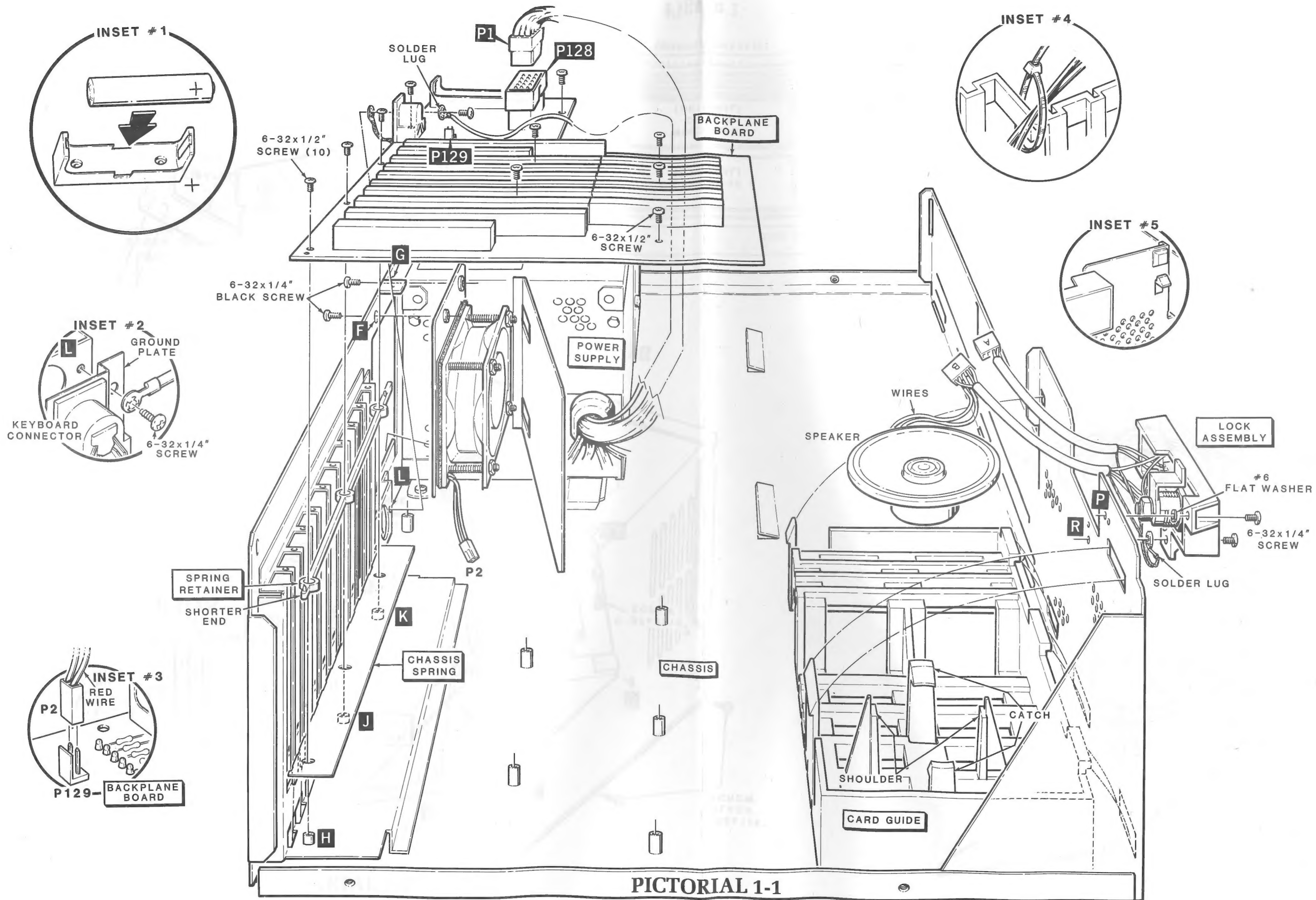


WARNING
 · DELICATE EQUIPMENT
 · HANDLE WITH CARE
 · DRIVE DAMAGE MAY OCCUR

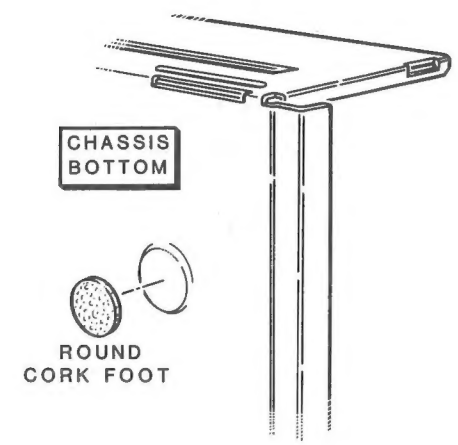
AVERTISSEMENT
 · APPAREIL FRAGILE
 · MANIPULER AVEC SOIN
 · L'UNITÉ DE DISQUE PEUT
 S'ABÎMER

390-2488

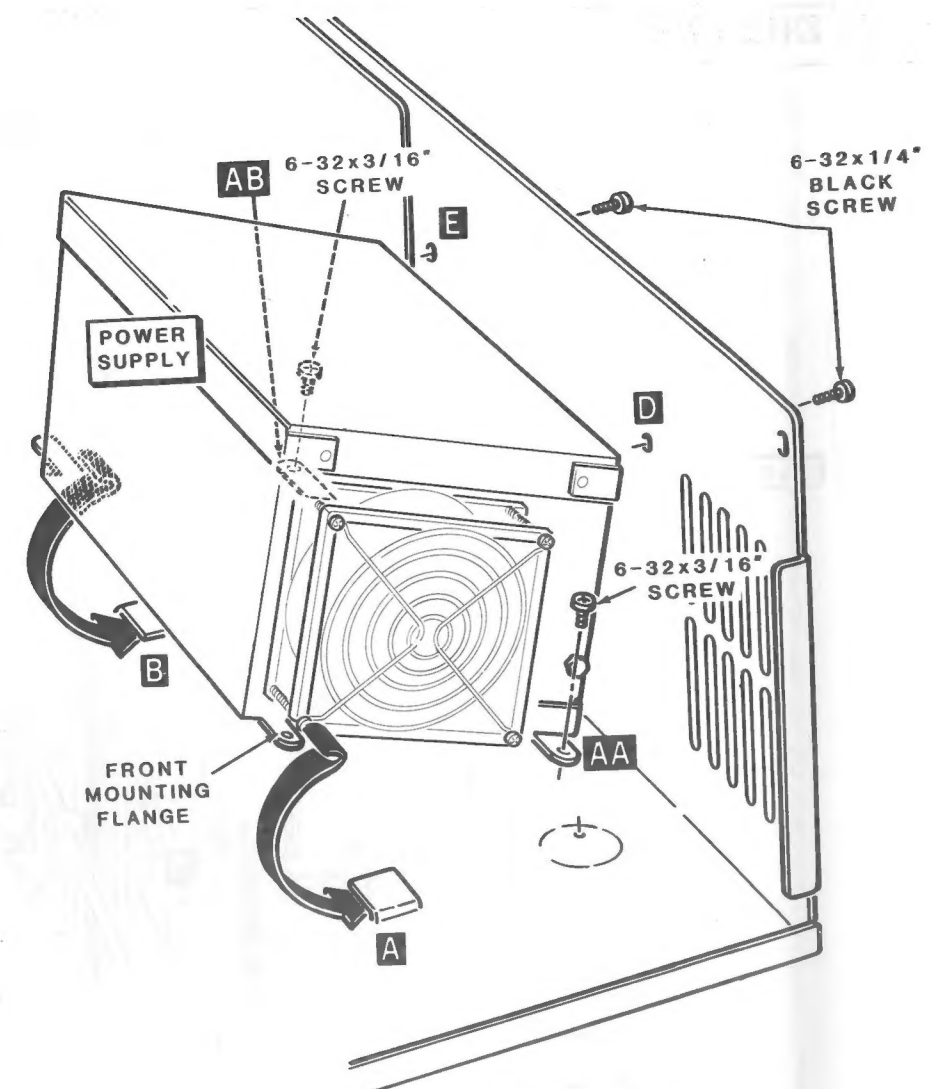




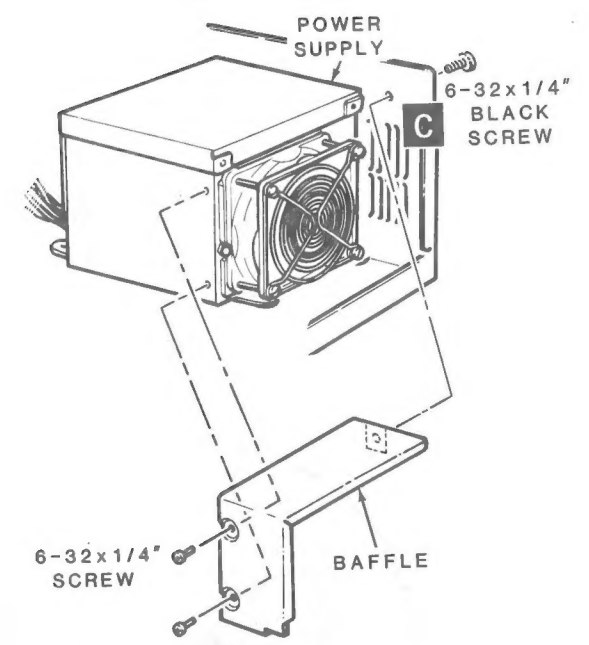
PICTORIAL 1-1



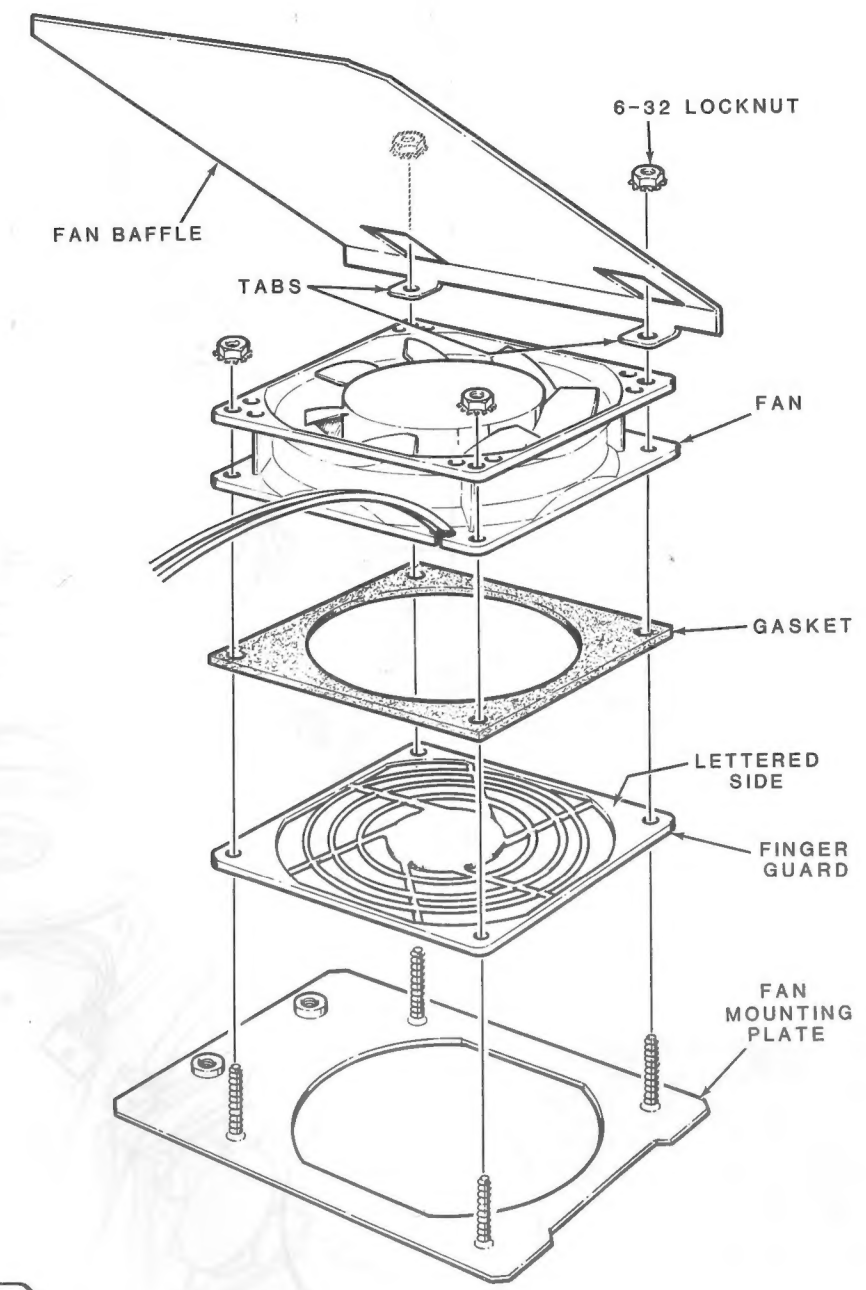
Detail 1-1A



Detail 1-1B



Detail 1-1C



Detail 1-1D

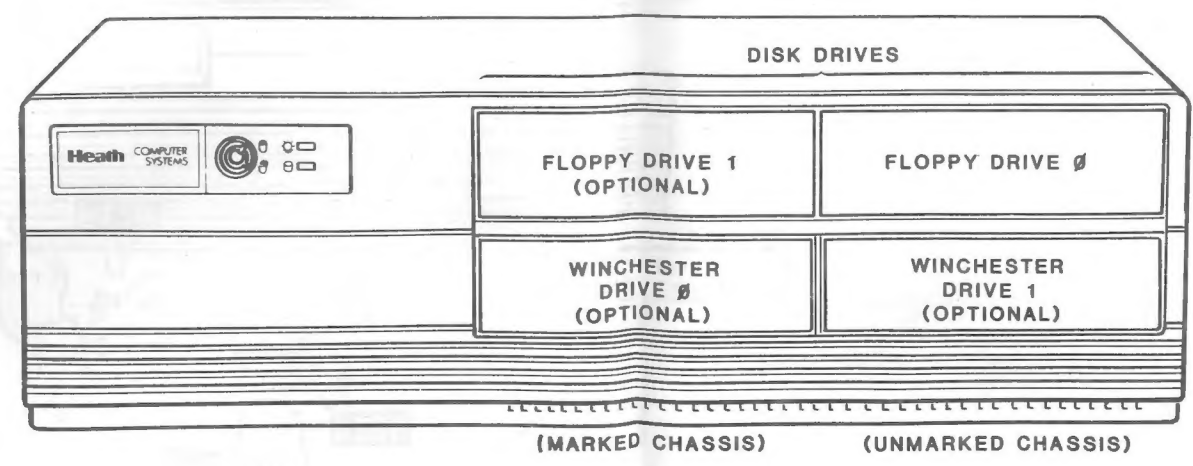
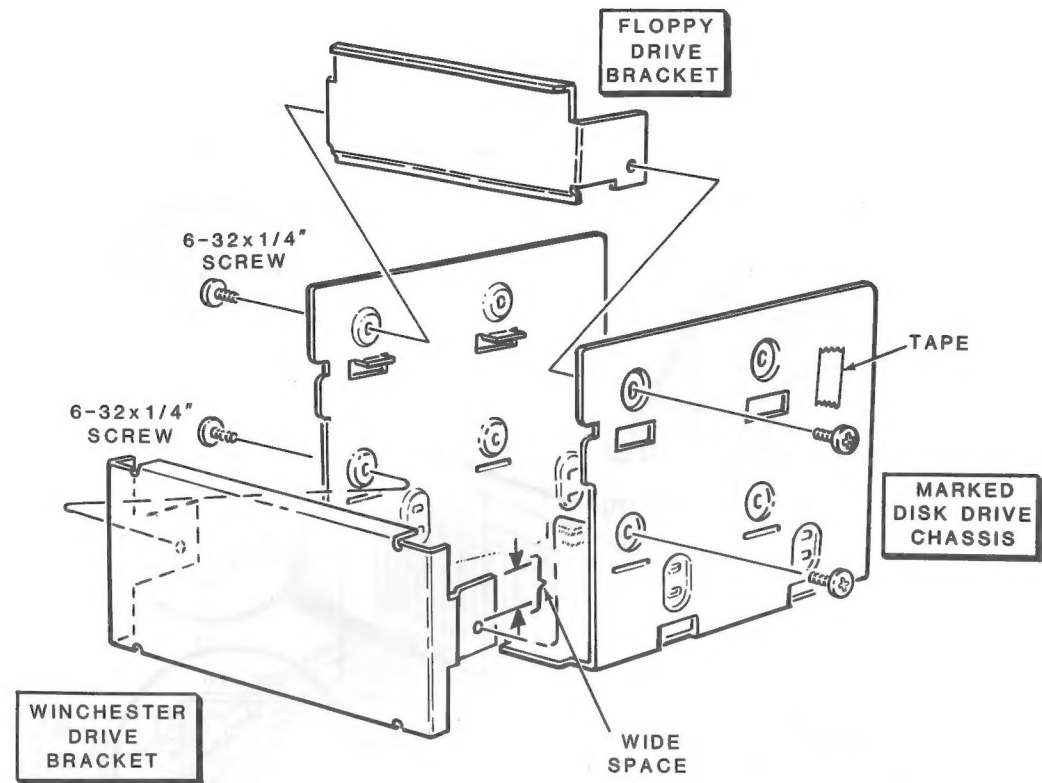
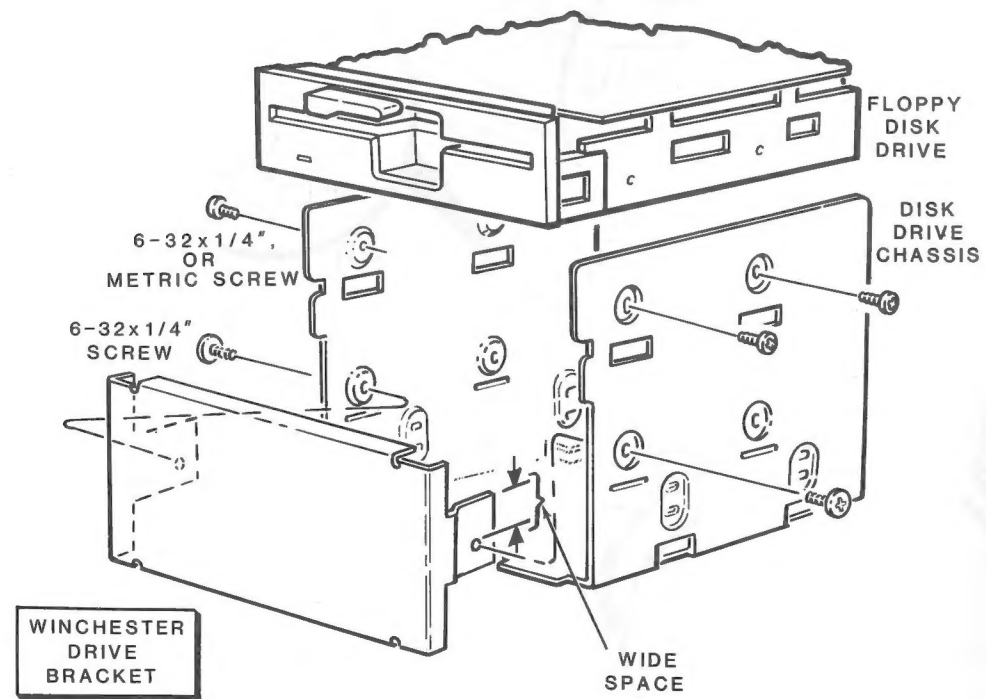


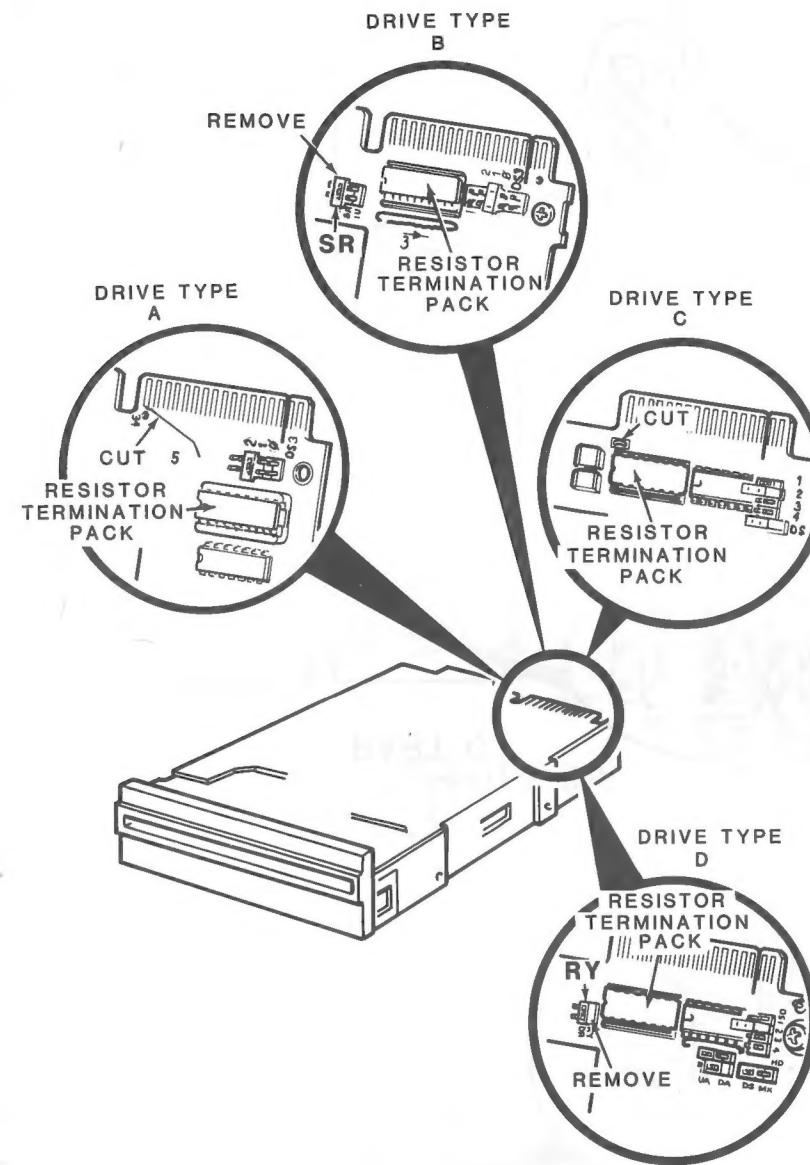
Figure 1



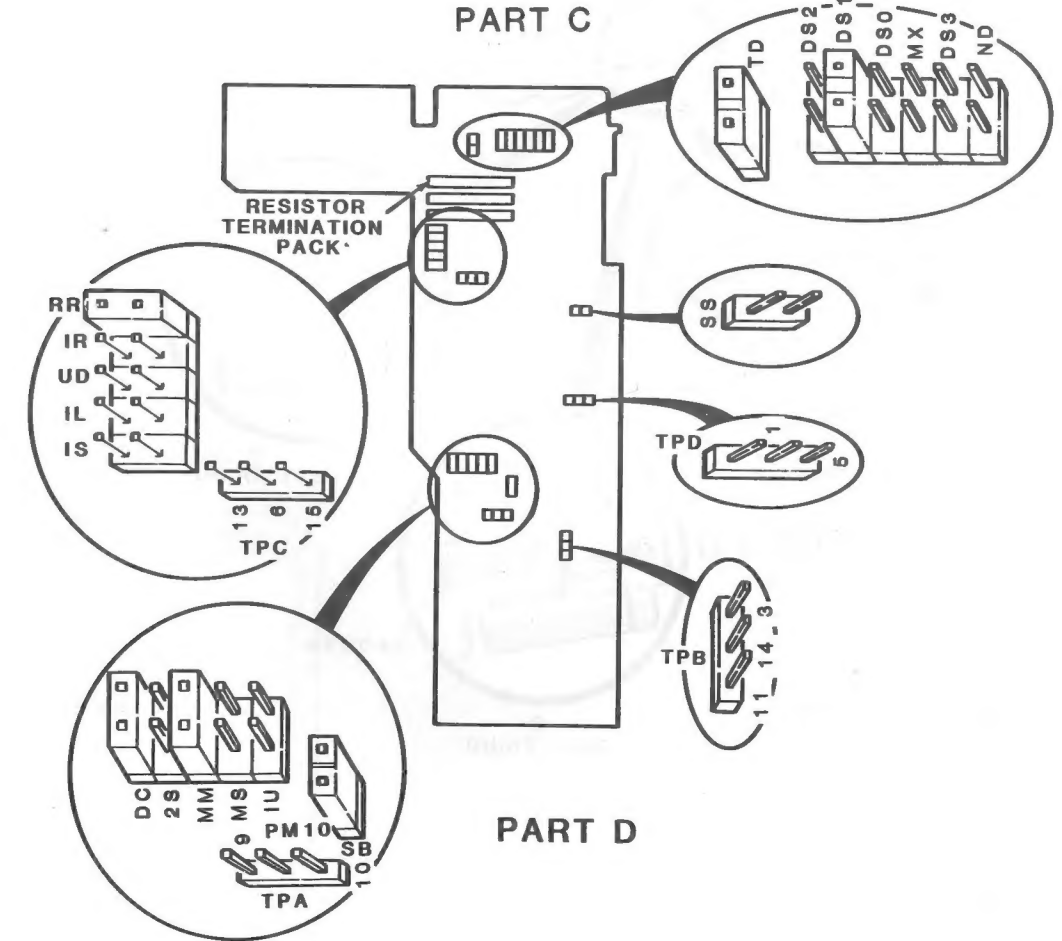
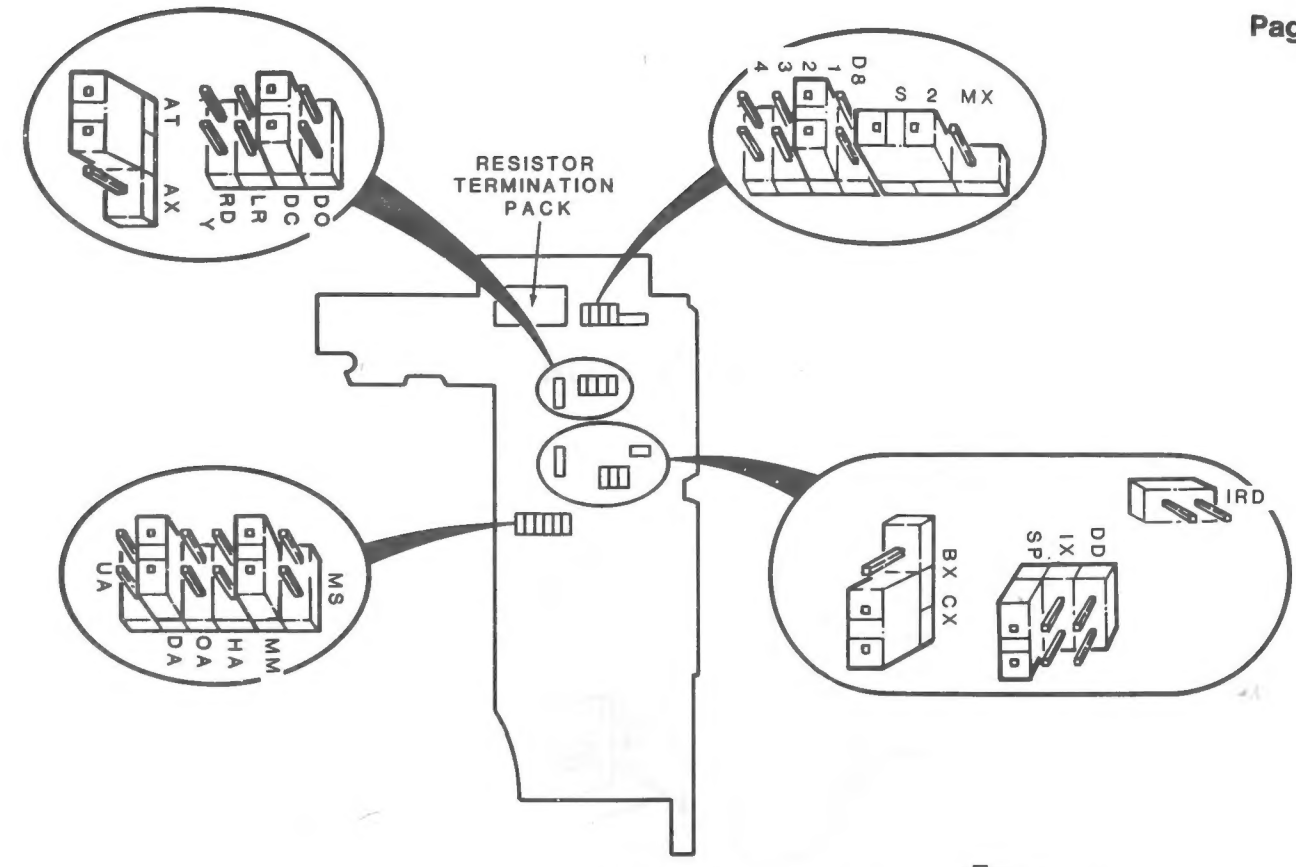
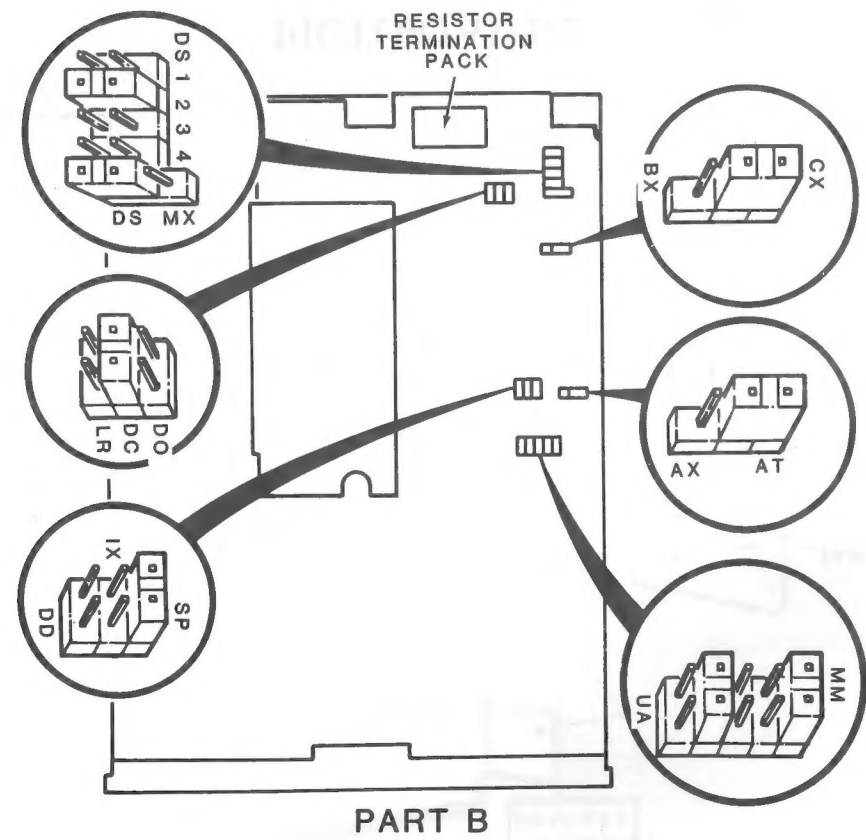
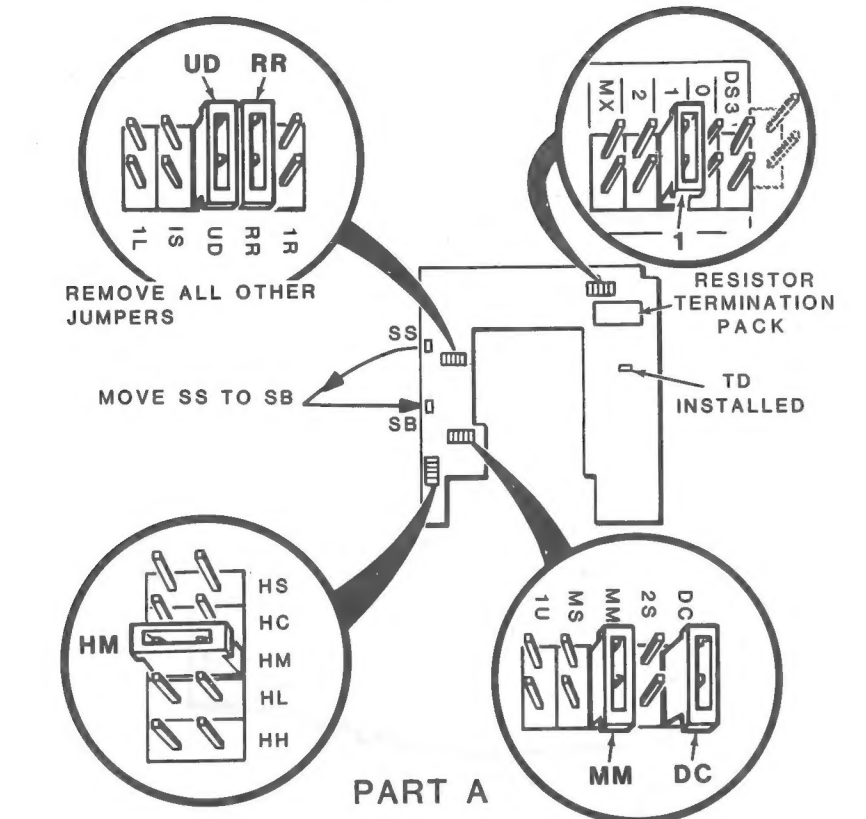
PICTORIAL 1-2



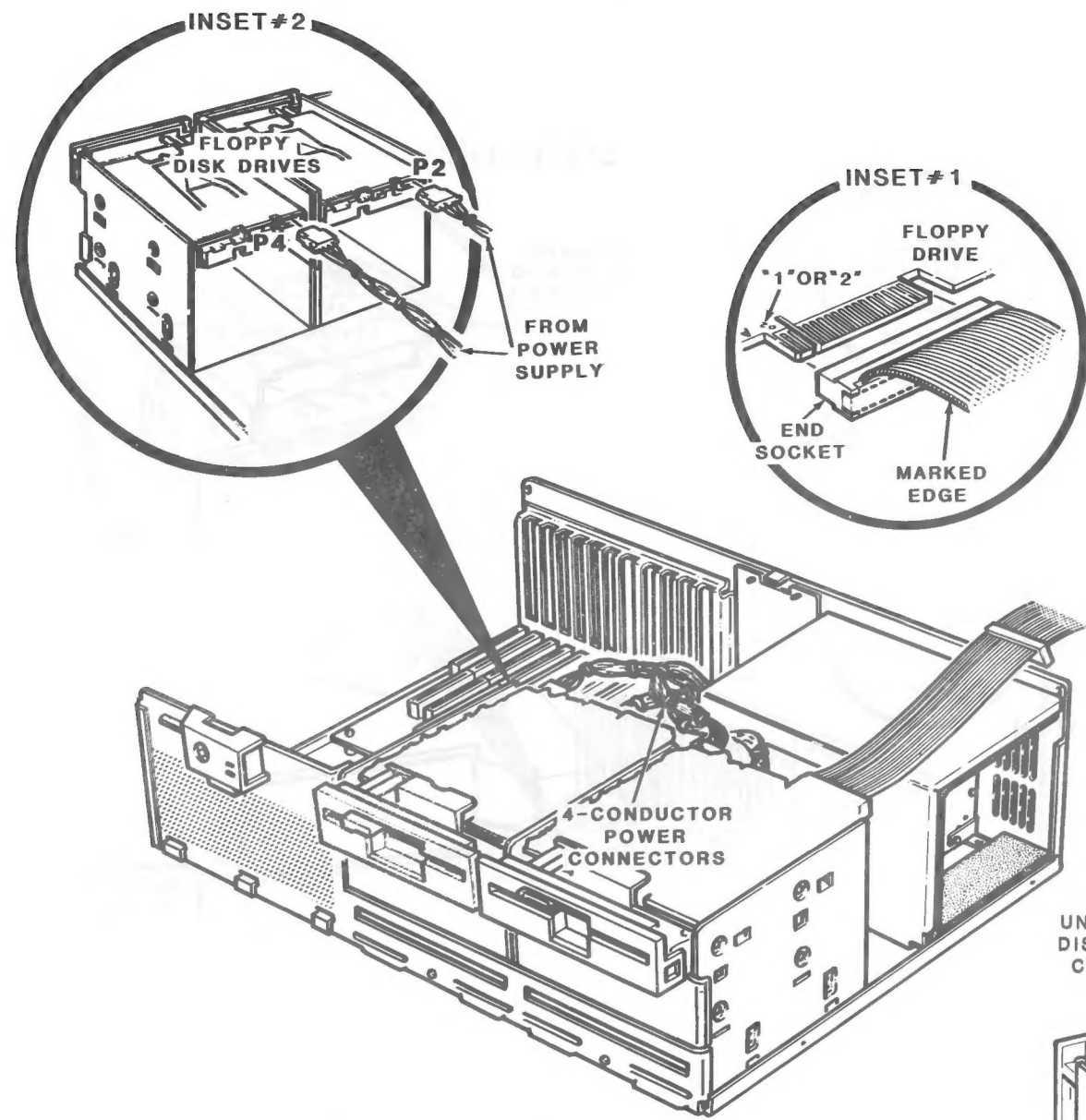
PICTORIAL 1-3



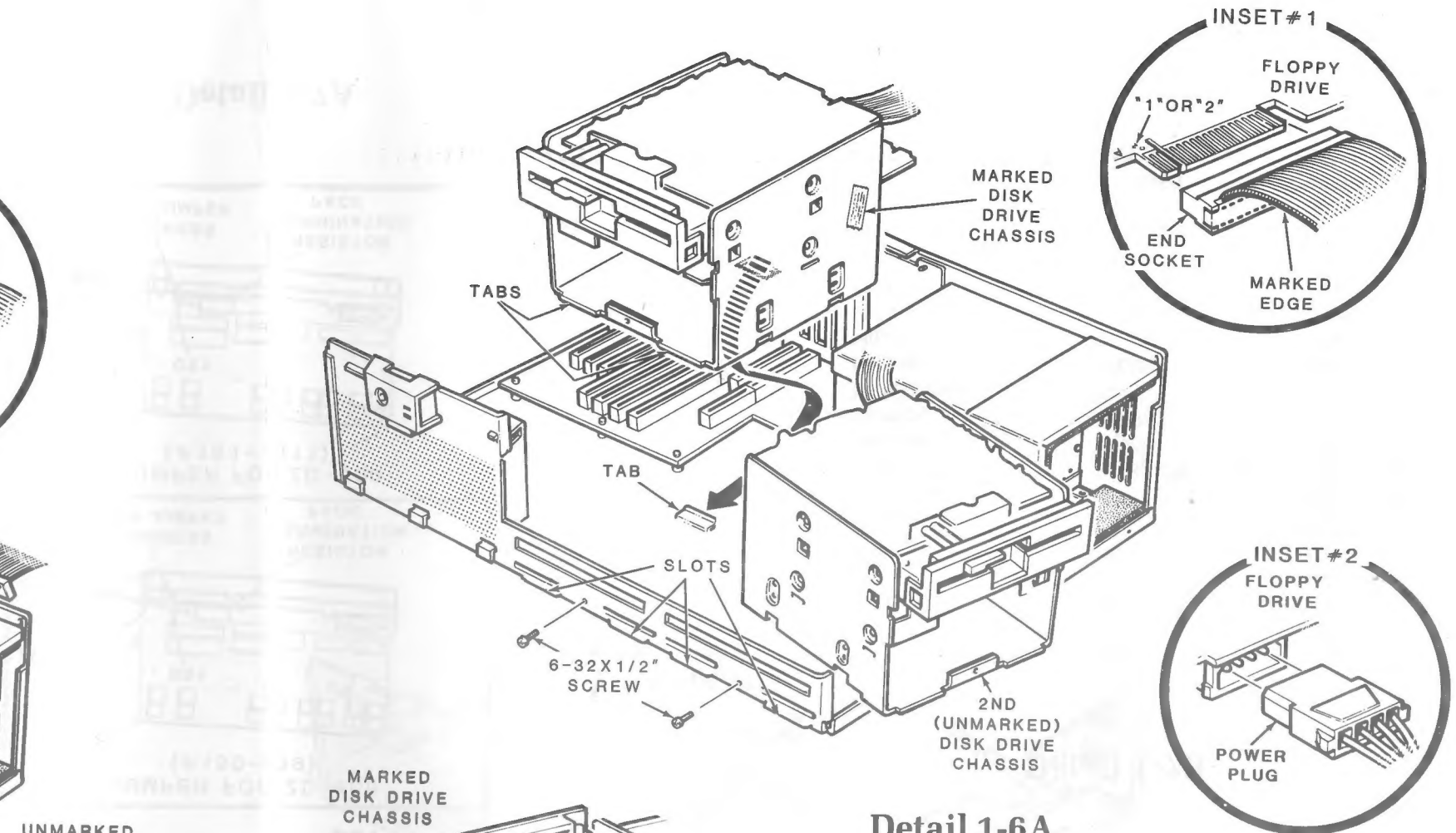
PICTORIAL 1-4



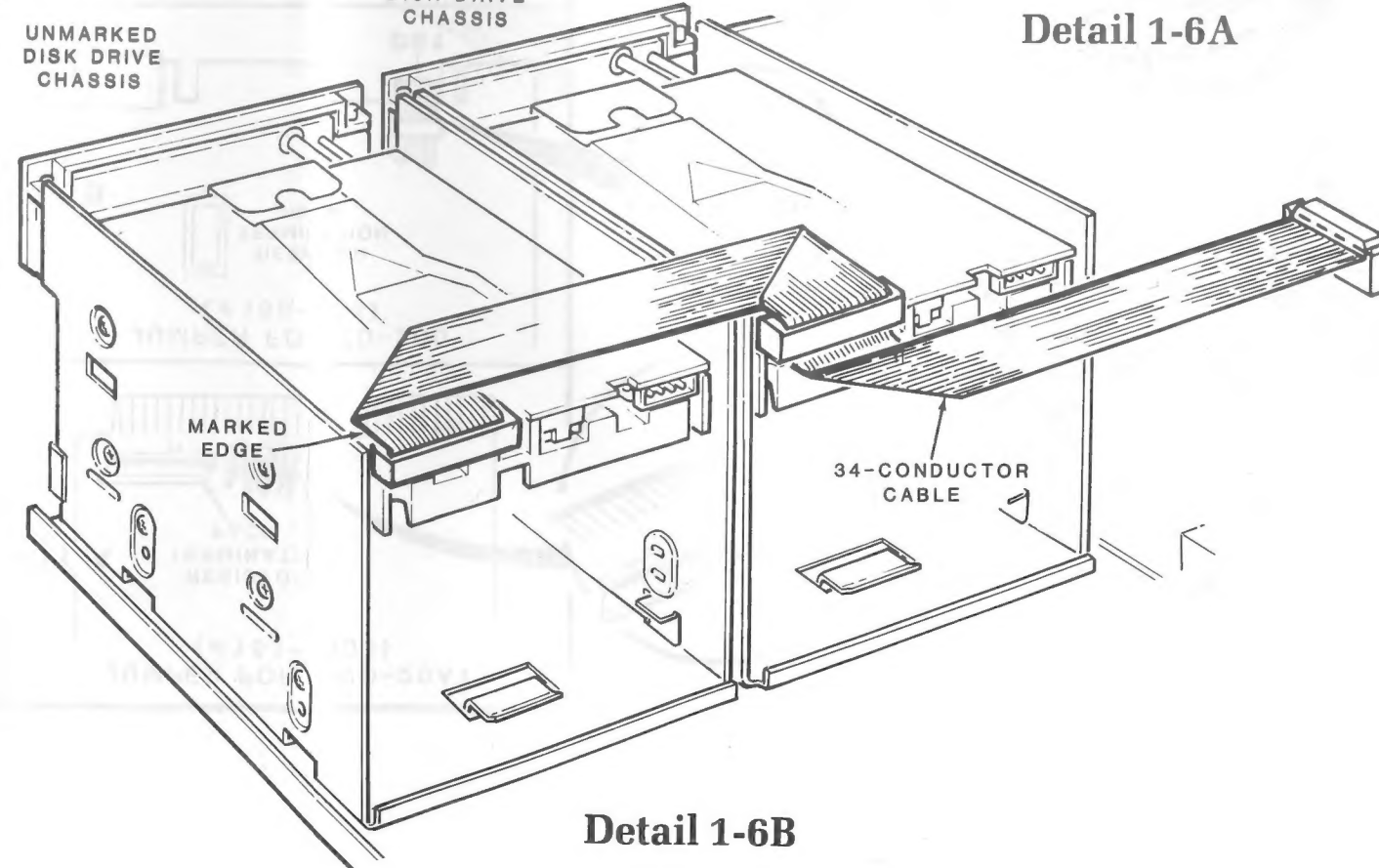
PICTORIAL 1-5



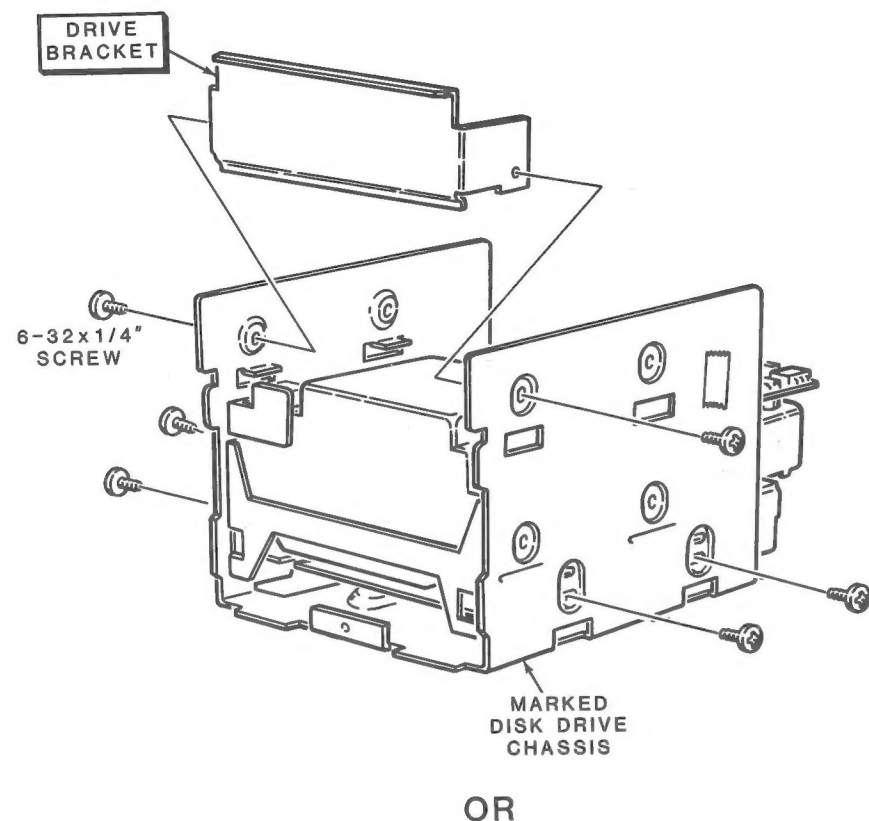
PICTORIAL 1-6



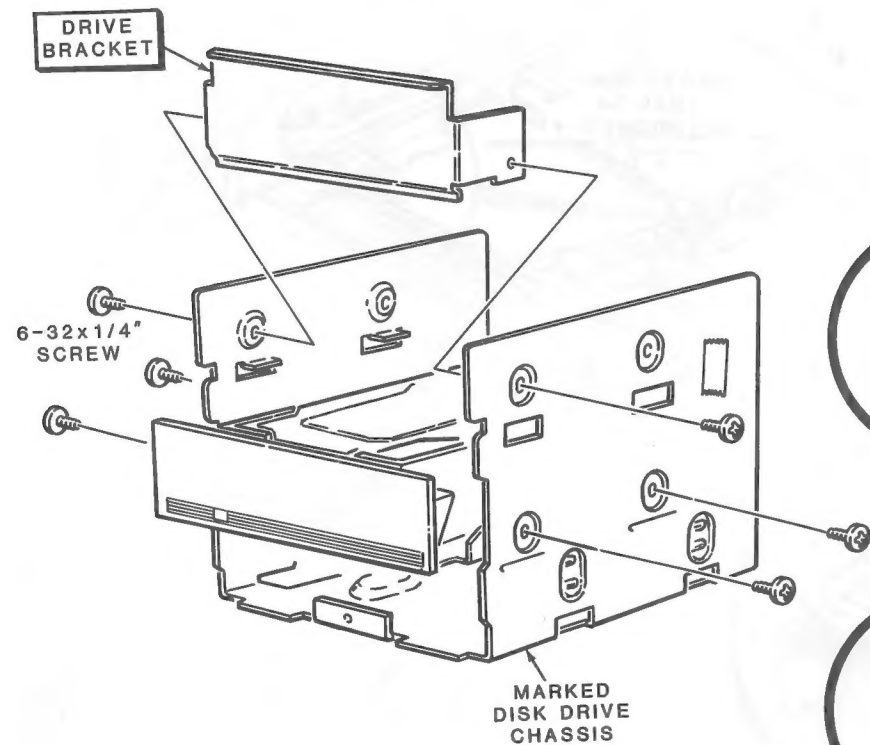
Detail 1-6A



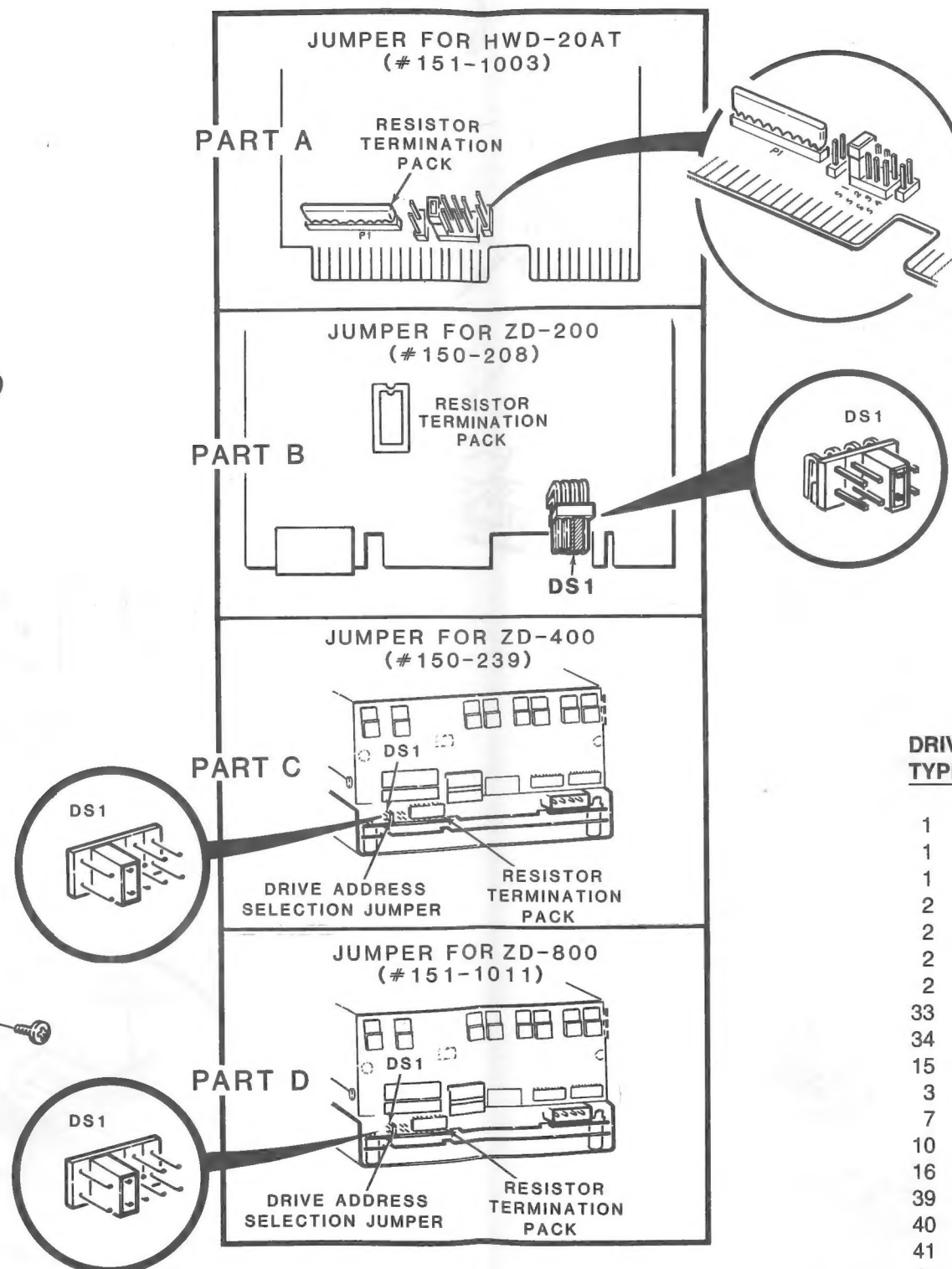
Detail 1-6B



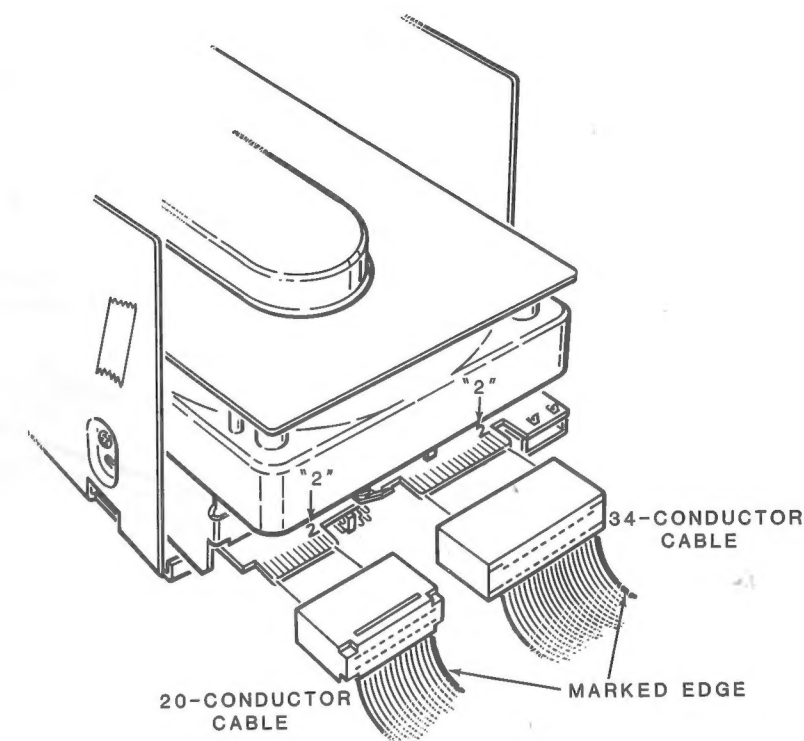
OR



PICTORIAL 1-7



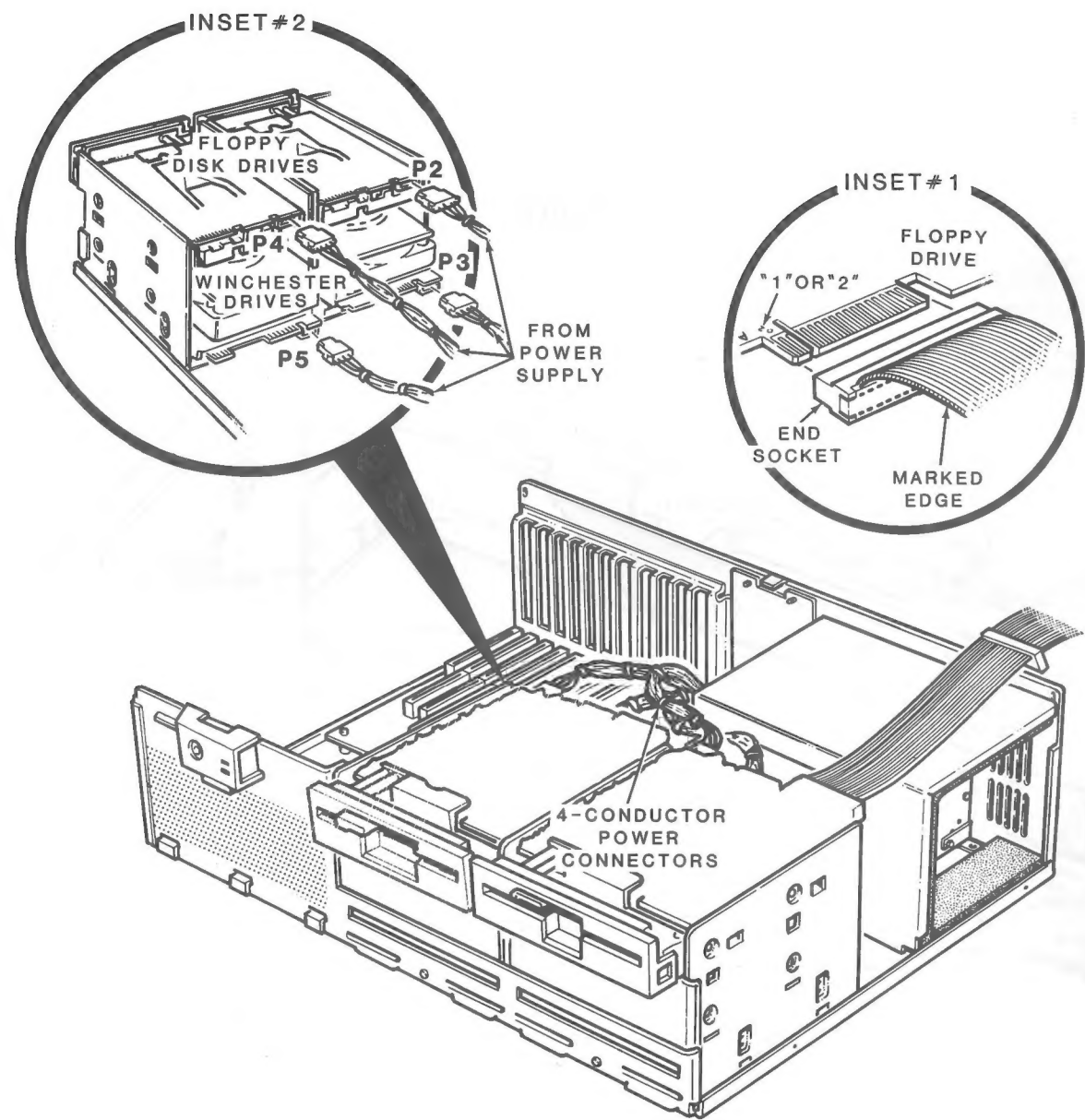
Detail 1-7A



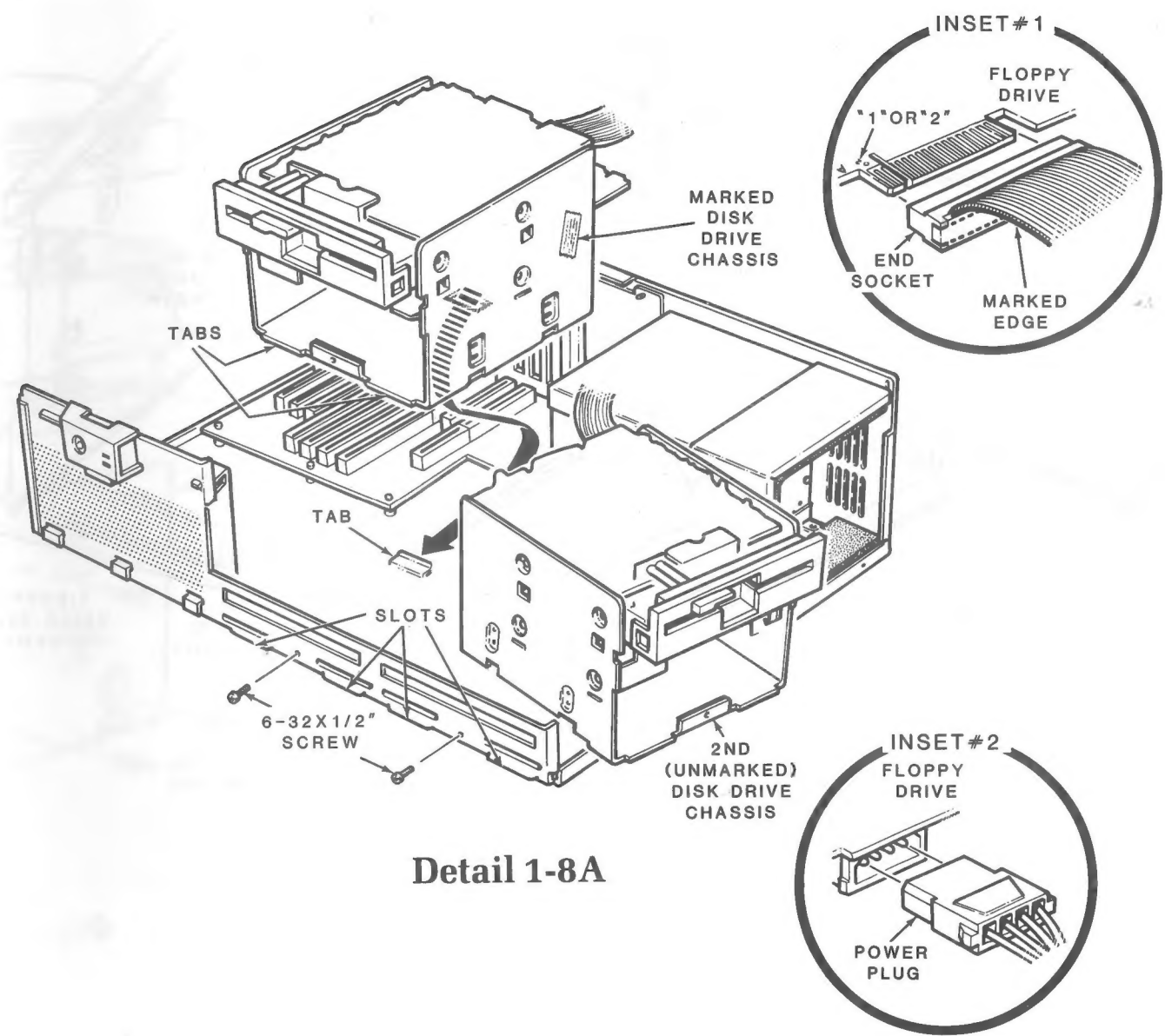
Detail 1-7B

DRIVE TYPE	MANUFACTURER	MODEL	CAPACITY
1	MiniScribe	2012	10M
1	CMI	5412	10M
1	Seagate	412	10M
2	Seagate	ST-225	20M
2	Seagate	4026	20M
2	CDC	94155-28	20M
2	Seagate	ST-225-2	20M
33	Tandon	TM-262	20M
34	MiniScribe	8425	20M
15	Lapine	TITAN 3532	20M
3	Hitachi	DK511-3	30M
7	Hitachi	DK511-5	40M
10	CDC	94155-48	40M
16	Seagate	ST-4051	40M
39	CDC	94155-86	80M
40	MiniScribe	6085	80M
41	MicroScience	HA-1050	80M
43	CDC	94205-51	40M

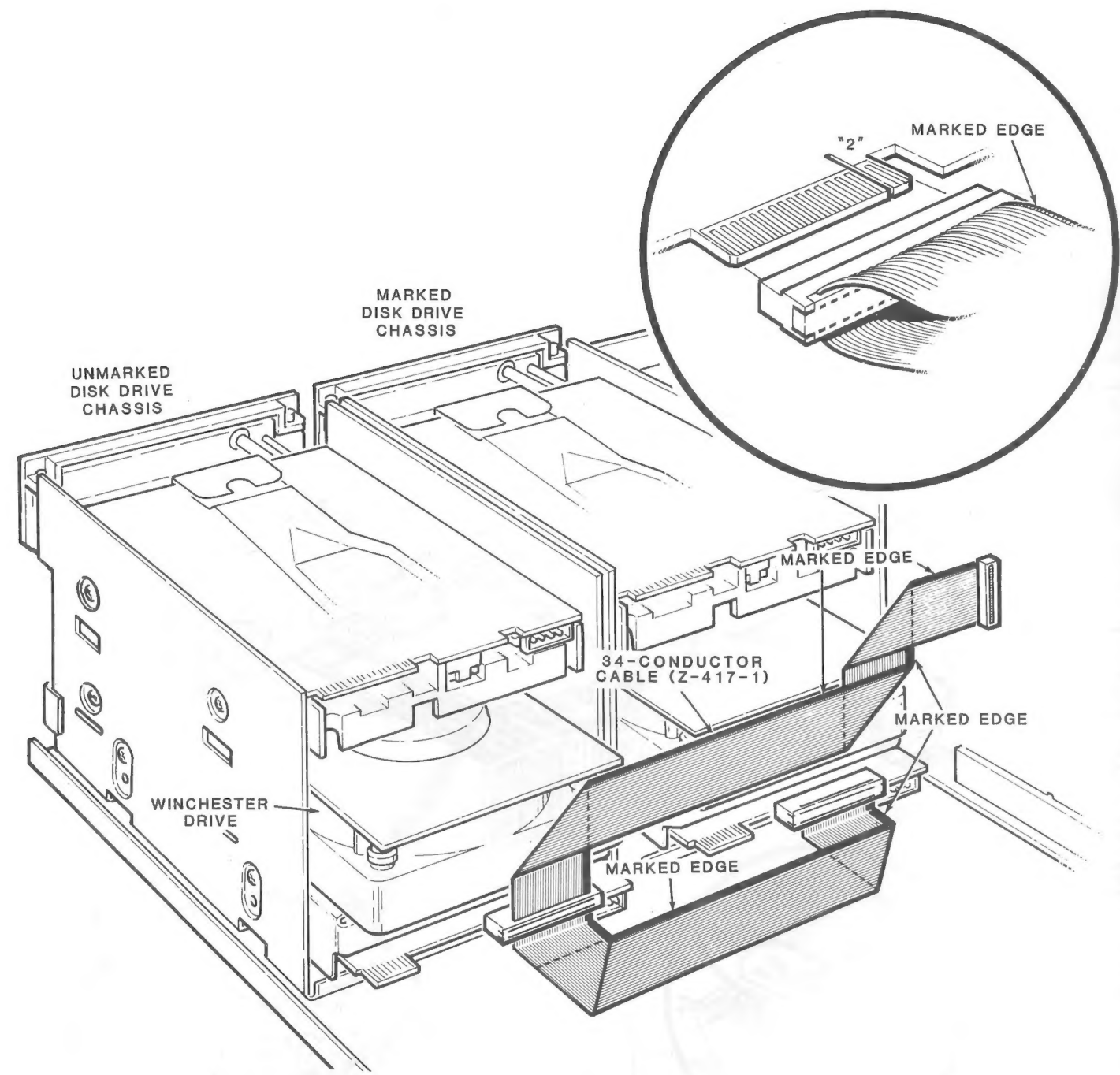
Figure 2



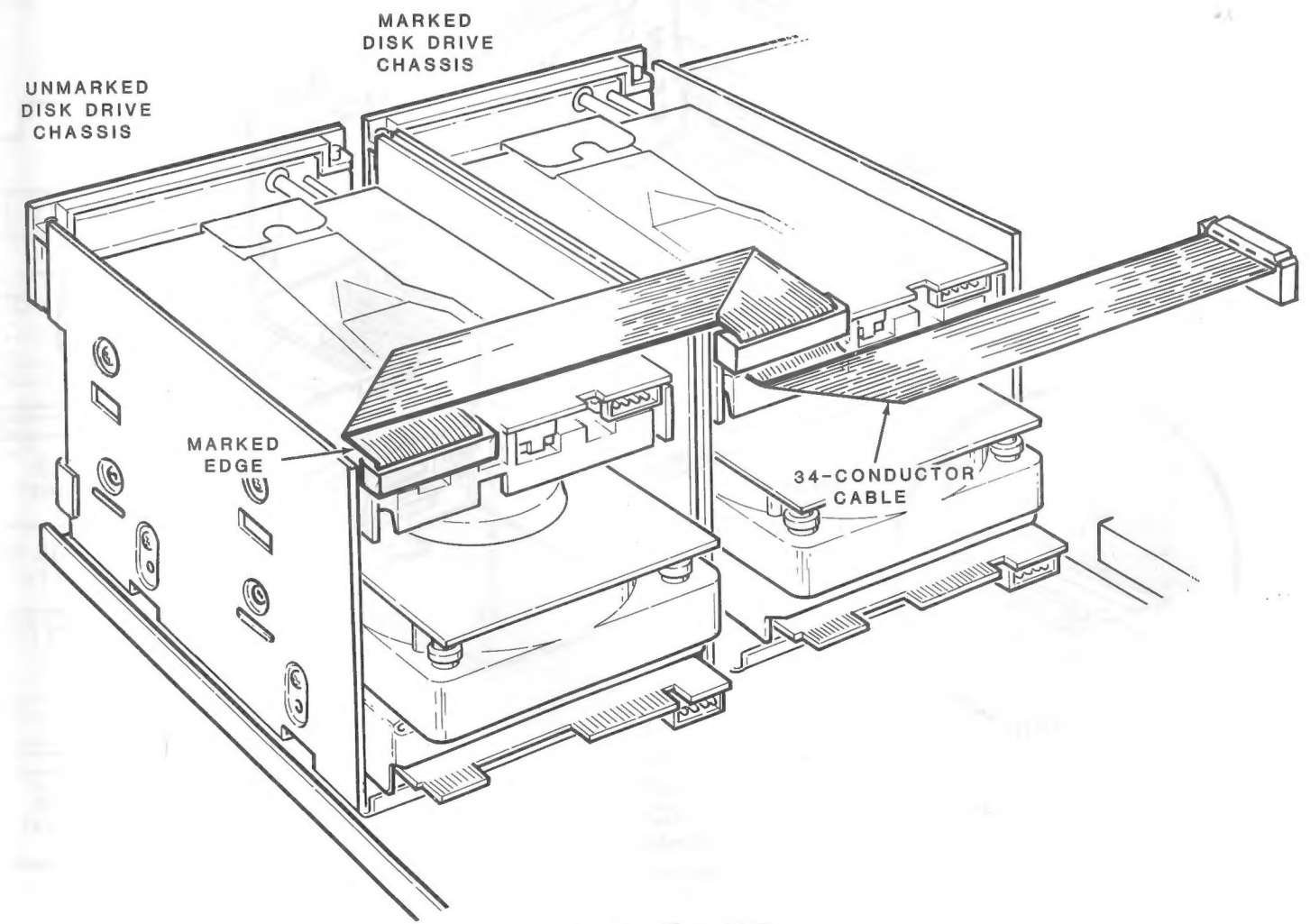
PICTORIAL 1-8



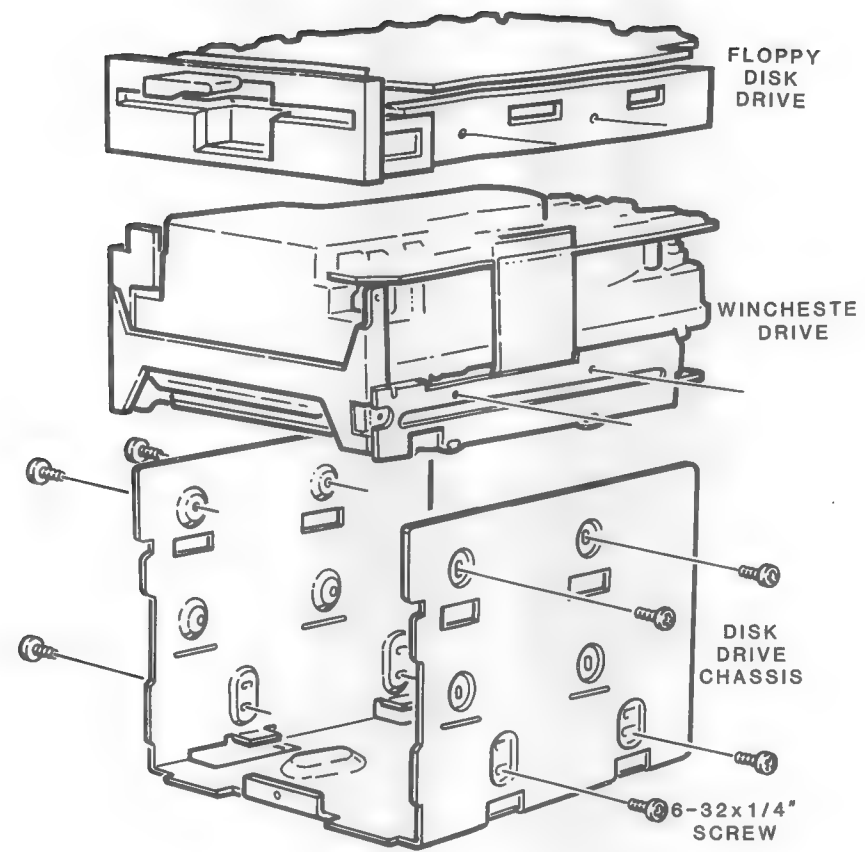
Detail 1-8A



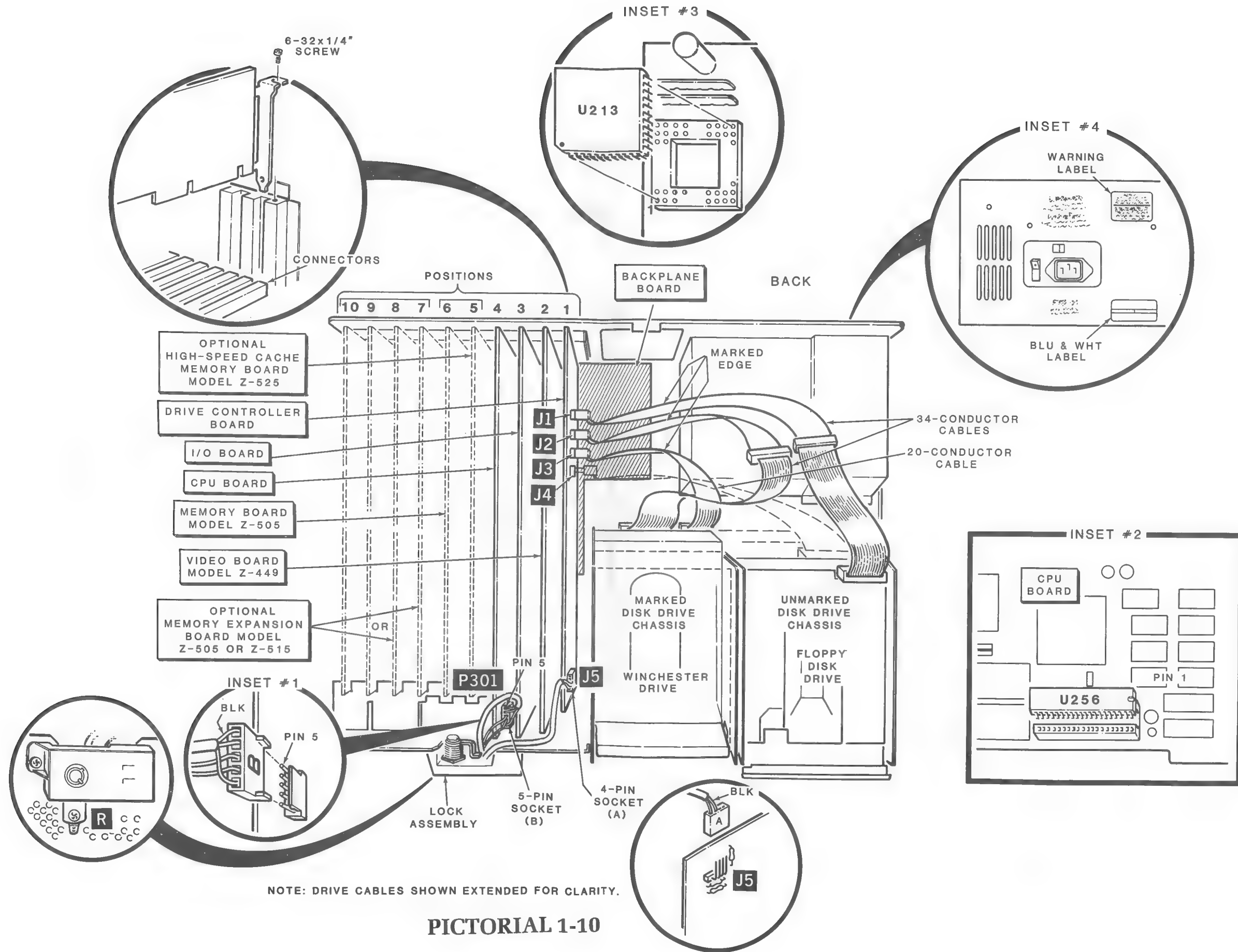
Detail 1-8B



Detail 1-8C

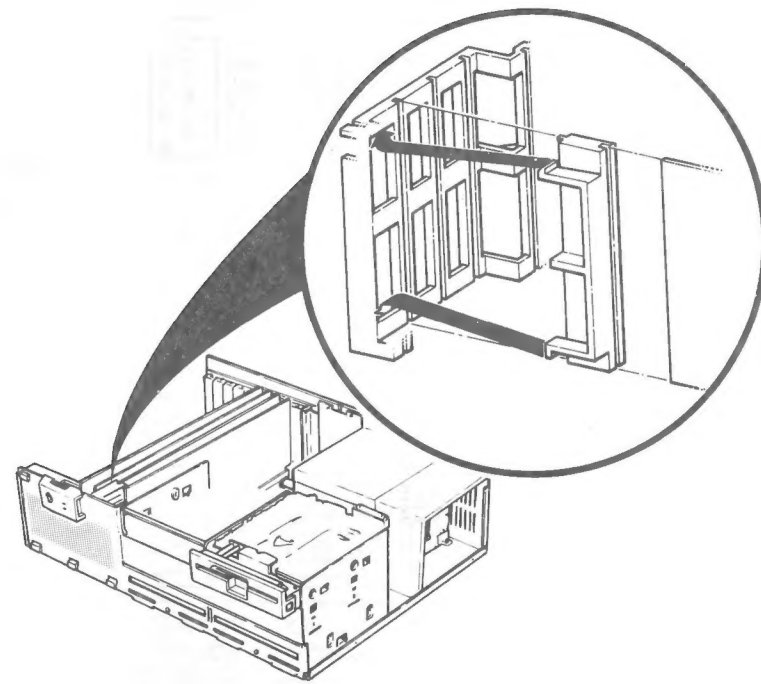


PICTORIAL 1-9



NOTE: DRIVE CABLES SHOWN EXTENDED FOR CLARITY.

PICTORIAL 1-10



Detail 1-10A

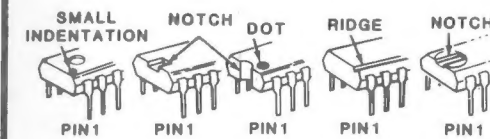
The pins on the IC's may be bent out at an angle, so they do not line up with the holes in the IC socket. DO NOT try to install an IC without first bending the pins as described below. To do so may damage the IC pins or the socket, causing intermittent contact.



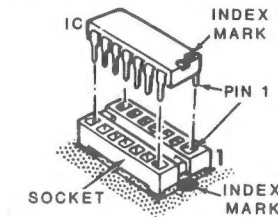
Before you install an IC, lay it down on its side as shown below and very carefully roll it toward the pins to bend the lower pins into line. Then turn the IC over and bend the pins on the other side in the same manner.



Compare the IC to the drawing shown below. Then determine which end of the IC is the pin 1 end.



Position the pin 1 end of the IC over the index mark on the circuit board. Then start the pins into the socket. Make sure that all of the pins are started; then push the IC down firmly. NOTE: An IC pin can become bent under the IC and it will appear as though it is correctly installed in the socket.



If it is ever necessary to remove an IC from its socket, use an IC puller (if one was supplied with your kit) or a small-bladed screwdriver as shown. Push the end of the IC puller or screwdriver blade between the IC and the socket and carefully lift the IC free. If any IC pins become bent, straighten them carefully.

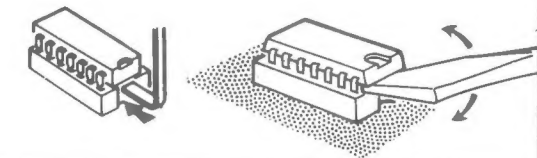


Figure 3

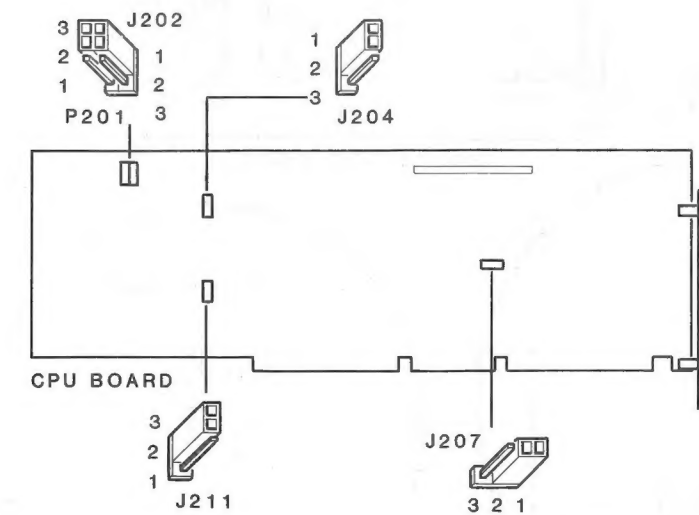
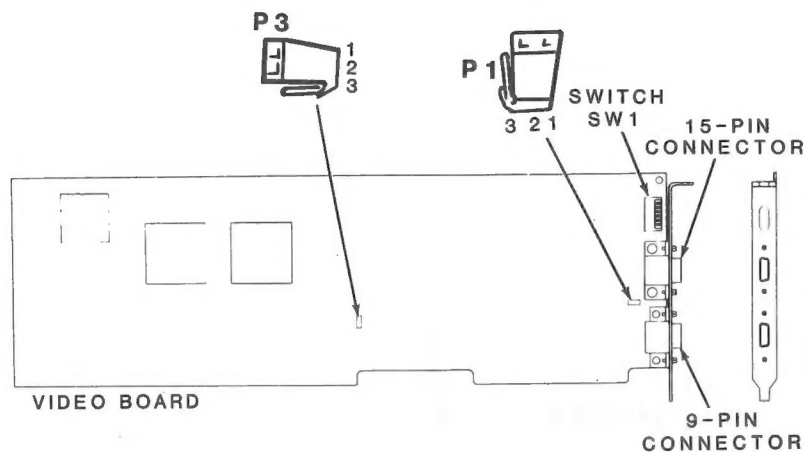


Figure 4

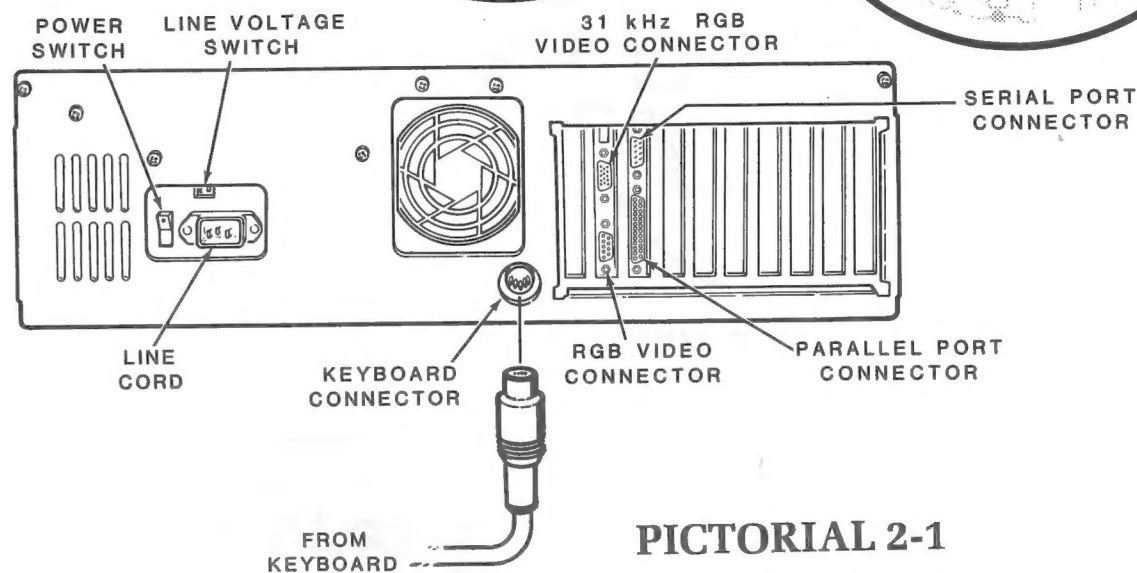
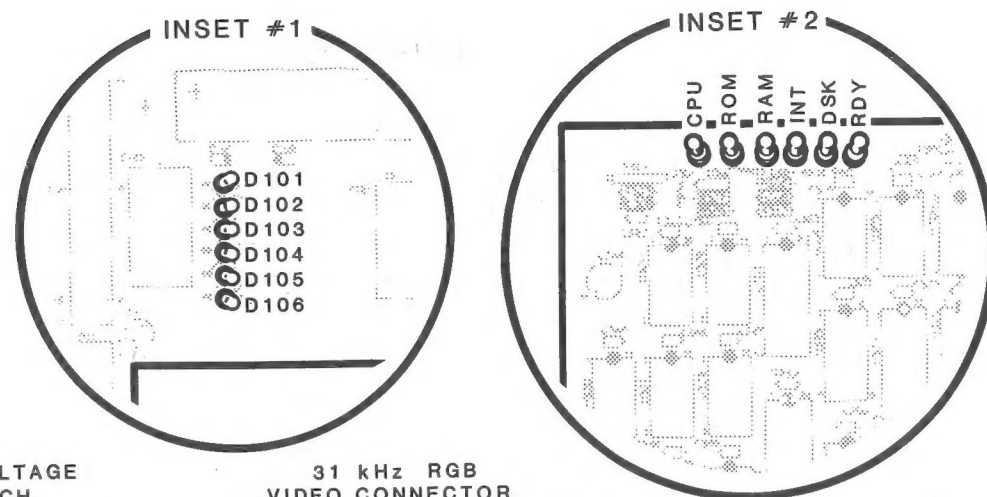


VIDEO BOARD

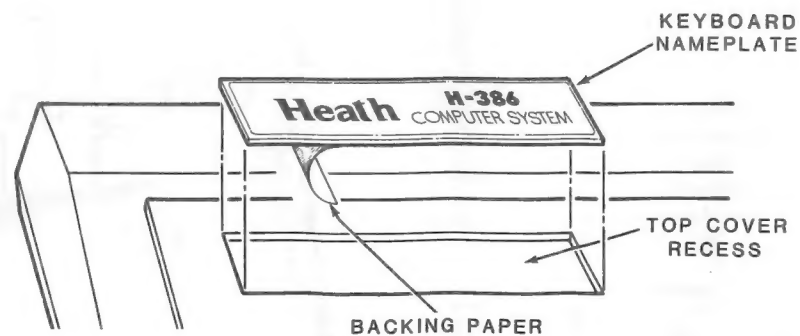
MONITOR	DISPLAY	CONNECTOR	SWITCH SW1	JUMPERS P1	JUMPERS P3
ZVM-1330 or other CGA monitor	CGA (15.70 kHz) (Color Graphics Adapter)	9-pin			
ZVM-1380-C or other EGA monitor	EGA (Enhanced Video RGBI/ RGBrgb)	9-pin			
ZMM-1470-G or other EGA monitor	EGA (Enhanced Video RGBI/ RGBrgb)	9-pin			
ZVM-1240 or other MDA monitor	MDA (TTL monochrome display)	9-pin			
ZCM-1390* or other VGA monitor	VGA (Video Graphics Array)	15-pin			
ZCM-1490* or other VGA monitor	VGA (Video Graphics Array)	15-pin			
ZMM-149 or other VGA monochrome monitor	VGA (Video Graphics Array monochrome)	15-pin			

* Default Settings.
The card is shipped pre-configured to drive the ZCM-1390 and ZCM-1490 monitors. If you are using either monitor, no action is necessary.

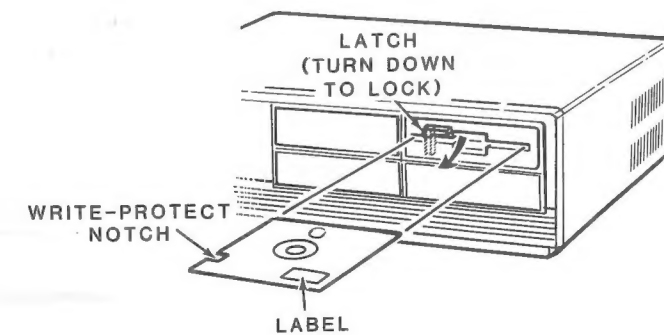
Figure 5



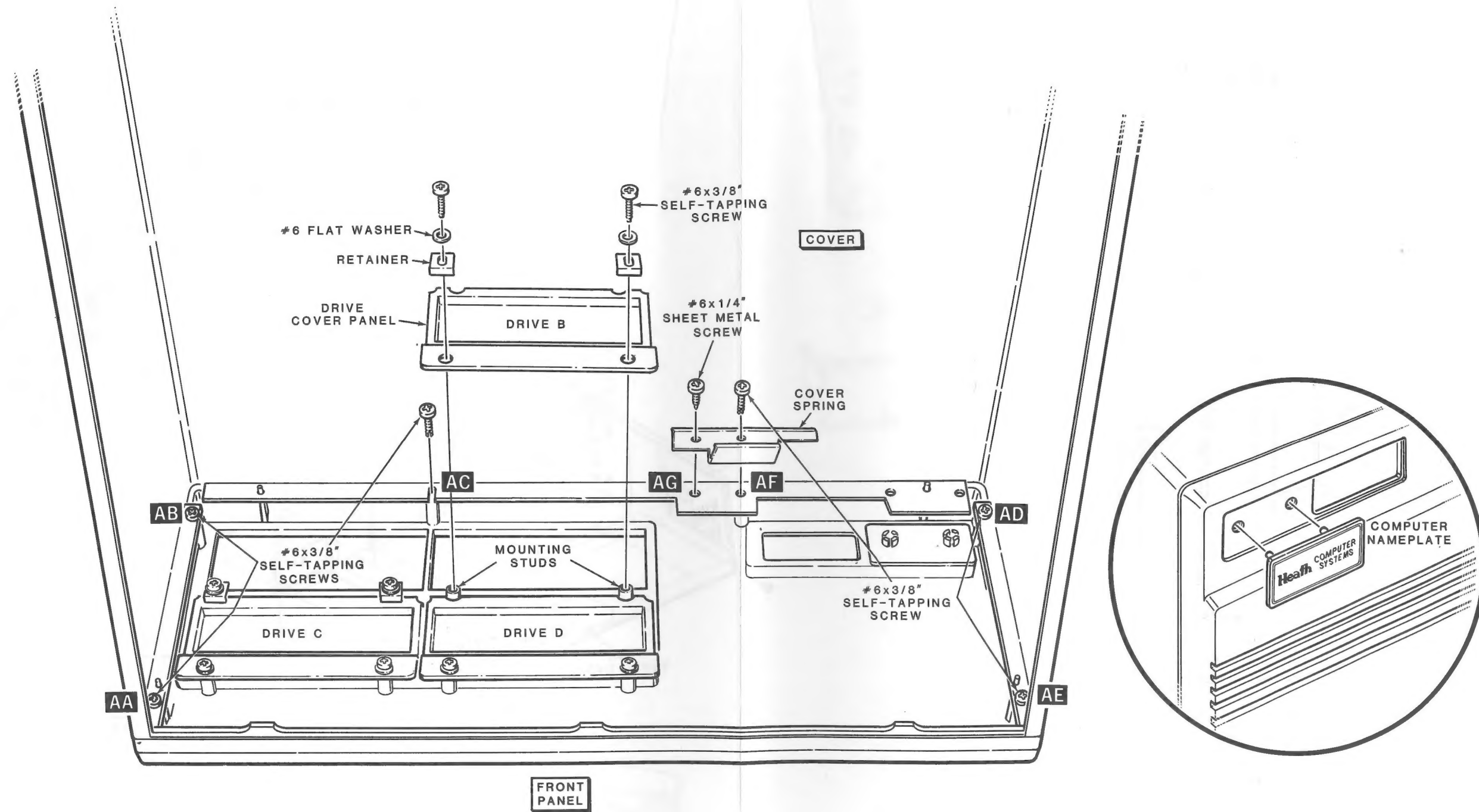
PICTORIAL 2-1



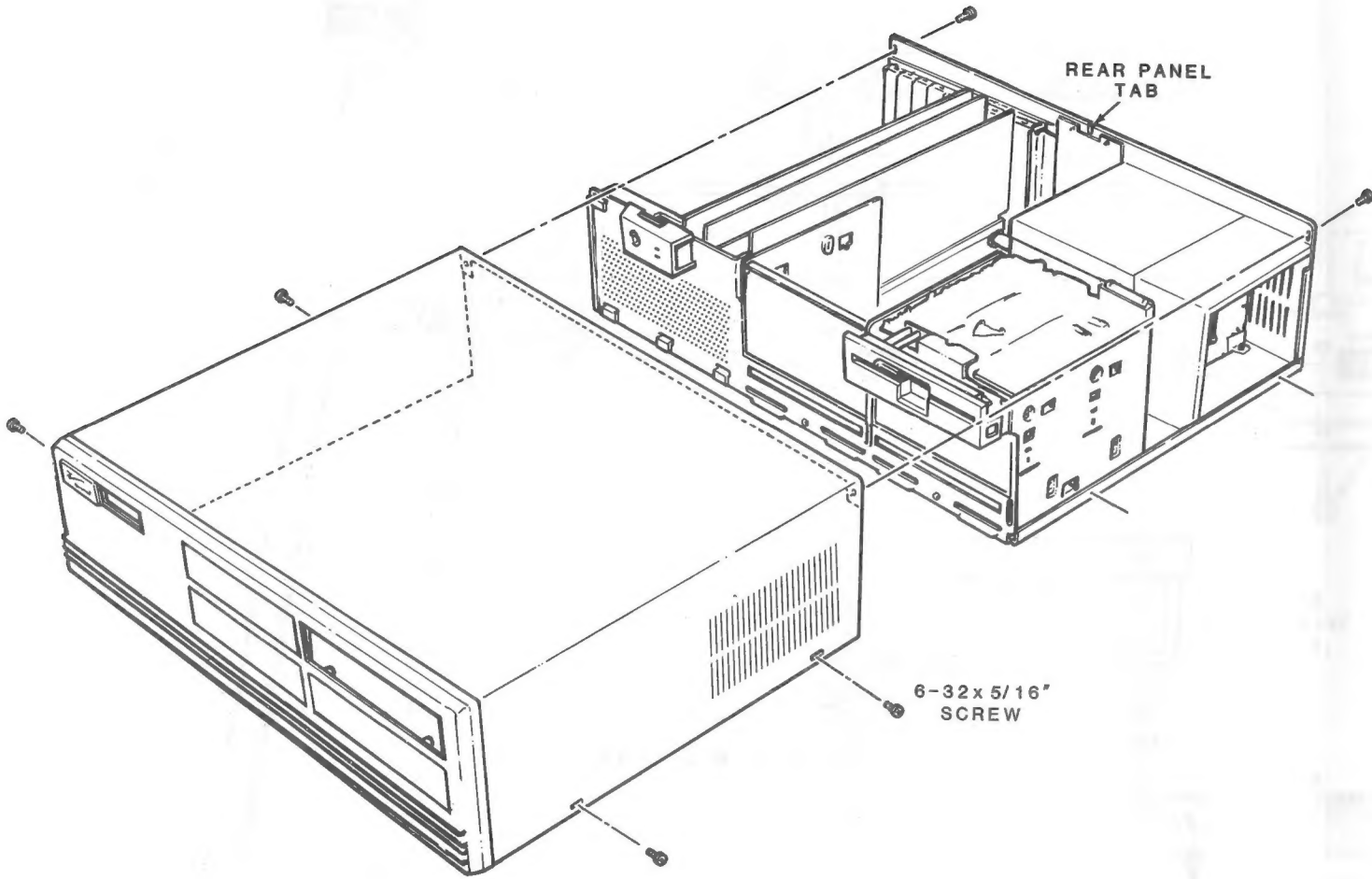
Detail 1-10B



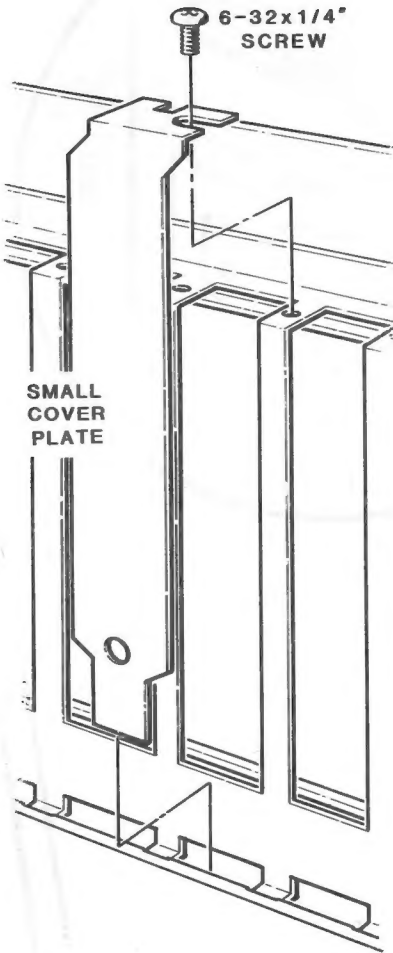
PICTORIAL 2-2



PICTORIAL 3-1



PICTORIAL 3-2



Detail 3-2A